

# 电子花样机

COMPUTER-CONTROLLED PATTERN SEWING MACHINE WITH INPUT FUNCTION

## 零件手册

PARTS BOOK

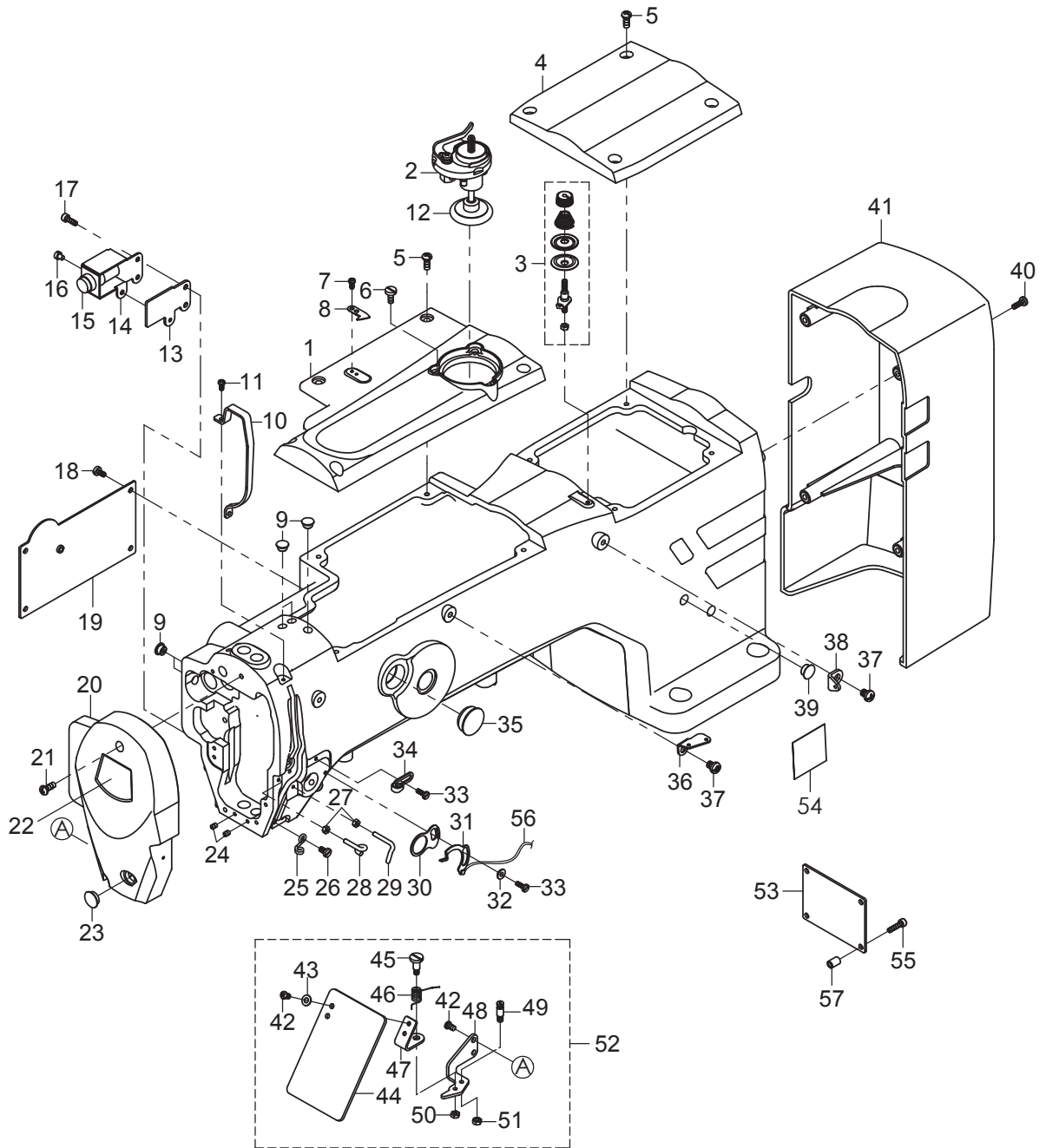
# CONTENTS

## 目录

1. FRAME & MISCELLANEOUS COVER COMPONENTS (1)	1
机头、外装部件(1)	
2. FRAME & MISCELLANEOUS COVER COMPONENTS (2)	3
机头、外装部件(2)	
3. FRAME & MISCELLANEOUS COVER COMPONENTS (3)	5
机头、外装部件(3)	
4. MAIN SHAFT & NEEDLE BAR COMPONENTS	7
上轴、针杆部件	
5. PRESSER MECHANISM & PRESSER VARIABLE COMPONENTS (1)	9
中压脚部件(1)	
6. PRESSER MECHANISM & PRESSER VARIABLE COMPONENTS (2)	11
中压脚部件(2)	
7. SHUTTLE DRIVER SHAFT COMPONENTS	13
下轴部件	
8. TENSION RELEASE & THREAD TENSION COMPONENTS	15
松线部件	
9. WIPER MECHANISM COMPONENTS	17
拨线部件	
10. THREAD CLAMP COMPONENTS	19
夹线部件	
11. THREAD TRIMMER MECHANISM COMPONENTS	21
剪线部件	
12. X-Y COMPONENTS (1)	23
X-Y部件(1)	
13. X-Y COMPONENTS (2)	25
X-Y部件(2)	
14. CLOTH FEED MECHANISM COMPONENTS (TYPE F)	27
送料部件	
15. TABLE COMPONENTS	29
台板部件	
16. PNEUMATIC COMPONENTS (TYPE F)	31
气动部件	
17. PNEUMATIC COMPONENTS (TYPE G)	32
气动部件	
18. CLOTH FEED MECHANISM COMPONENTS (TYPE G)	33
送料部件	
19. ACCESSORIES COMPONENTS	35
附件部件	

# 1. FRAME & MISCELLANEOUS COVER COMPONENTS (1)

## 机头、外装部件(1)



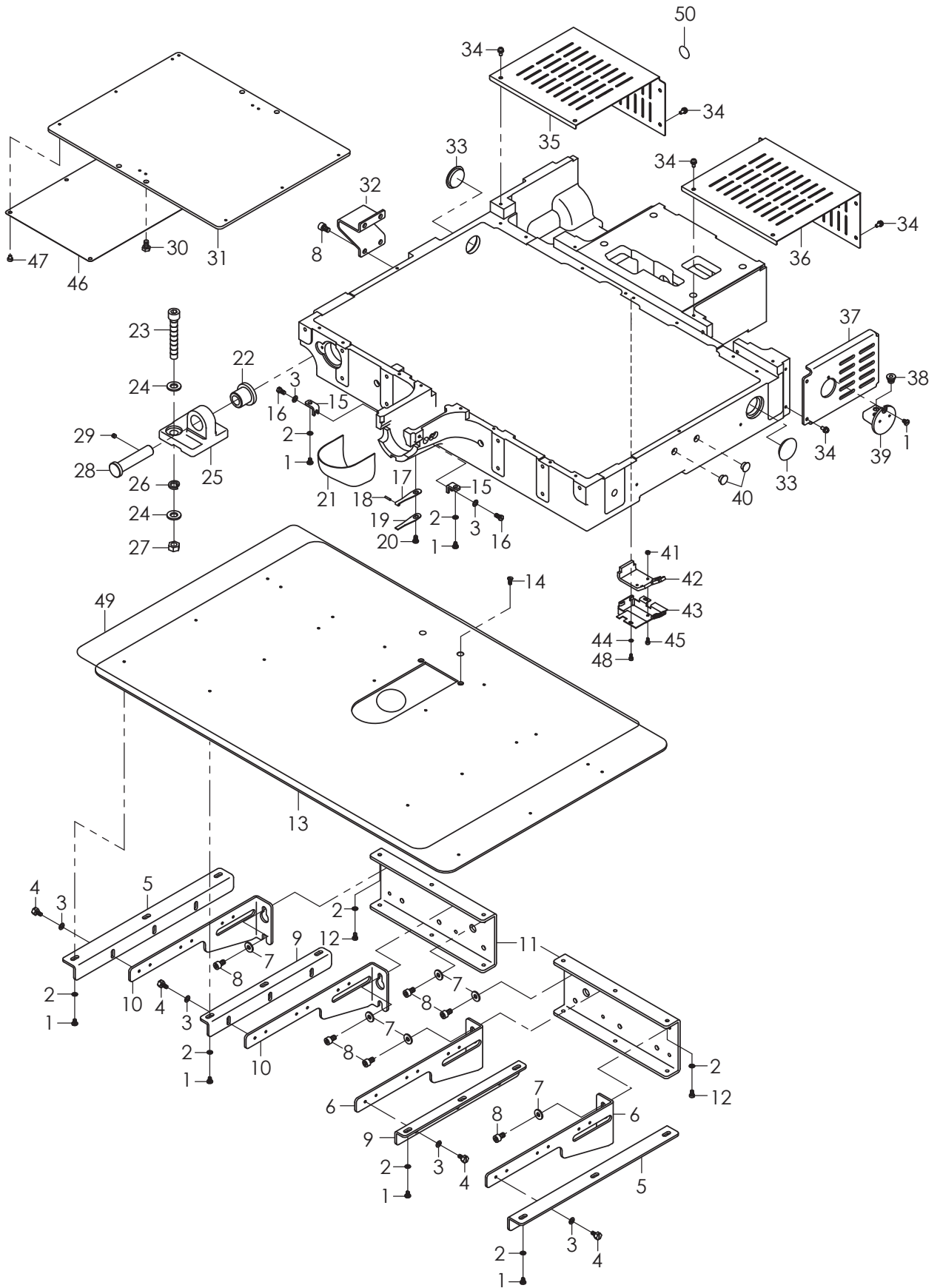
## 1. 机头、外装部件(1)

## FRAME &amp; MISCELLANEOUS COVER COMPONENTS (1)

序号 No.	件号 Part No.	名称	DESCRIPTION	数量 Qty
1	20010035	上前盖	TOP_COVER_FRONT	1
2	10027383	绕线器	BOBBIN_WINDER_UNIT	1
3	10011134	绕线夹线器	BOBBIN_THREAD_TENSION_ASM.	1
4	20010036	上后盖	TOP_COVER_REAR	1
5	10008776	螺钉 M5 L=12	SCREW M5 L=12	9
6	10011101	螺钉 SM11/64"×40 L=11	SCREW SM11/64"x40 L=11	3
7	10011143	螺钉 SM9/64"×40 L=7	SCREW SM9/64"x40 L=7	2
8	10011149	绕线切刀	THREAD_CUTTER	1
9	10000090	摆动架销油塞	RUBBER_PLUG	5
10	20003790	挑线杆防护罩	THREAD_TAKE_UP_LEVER_COVER	1
11	10011143	螺钉 SM9/64"×40 L=7	SCREW SM9/64"x40 L=7	2
12	10008773	橡胶轮	RUBBER_WHEEL	1
13	20010435	急停开关安装板喷漆件	STOP_SWITCH_PLATE	1
14	20010434	急停开关盒喷漆件	STOP_SWITCH_BOX	1
15	10028708	急停开关	STOP_SWITCH	1
16	10009595	螺钉 M4 L=4.5	SCREW M4 L=4.5	1
17	10000863	螺钉 M4 L=12	SCREW M4 L=12	2
18	10009868	螺钉 M4 L=8	SCREW M4 L=8	4
19	20008485	后盖板	LEFTWARD_COVER	1
20	20008483	面板	FACE_COVER	1
21	10008776	螺钉 M5 L=12	SCREW M5 L=12	2
22	10005468	面板装饰牌	FACE_PLATE	1
23	10011099	橡胶塞	RUBBER_PLUG	1
24	10000563	螺钉 M4 L=5	SCREW M4 L=5	2
25	10011139	下线钩	ARM_THREAD_GUIDE_B	1
26	10010668	螺钉 SM11/64"×40 L=7.8	SCREW SM11/64"x40 L=7.8	1
27	10011140	螺母 SM9/64"×40	NUT SM9/64"x40	2
28	10011148	中线钩	ARM_THREAD_GUIDE_M	1
29	10000181	中线钩	L_SHAPED_THREAD_GUIDE	1
30	10000741	传感片内绝缘片	GUIDE_PLATE	1
31	10000188	断线检测传感片	THB_SENSOR_SLIT	1
32	10000752	传感片外绝缘片	BUSHING	1
33	10009691	螺钉 SM9/64"×40 L=10	SCREW SM9/64"x40 L=10	2
34	10008940	右线钩	ARM_THREAD_GUIDE_R	1
35	10027270	橡胶塞	RUBBER_PLUG	1
36	10011200	上过线板	THREAD_GUIDE_PLATE_B	1
37	10011158	螺钉 SM15/64"×28 L=7	SCREW SM15/64"x28 L=7	2
38	10011145	单眼过线板	THREAD_GUIDE_PLATE_A	1
39	10011136	橡胶塞	RUBBER_PLUG	2
40	10003049	螺钉 M4 L=12	SCREW M4 L=12	4
41	10027262	后罩	BACK_COVER	1
42	10011570	螺钉 SM11/64"×40 L=7	SCREW SM11/64"x40 L=7	4
43	10011680	垫圈 4.6×9.7×0.8	WASHER 4.6x9.7x0.8	2
44	10011636	安全板	SAFETY_PLATE	1
45	10011677	螺钉轴	HINGE_SCREW	1
46	10011678	弹簧	SPRING	1
47	10011684	安全板架组件	SAFETY_PLATE_INSTALLING_PLATE_B	1
48	10011632	安全板座	SAFETY_PLATE_INSTALLING_PLATE_A	1
49	10011633	销钉	SCREW_PIN	1
50	10010370	螺母 SM11/64"×40	NUT SM11/64"x40	1
51	10011682	螺母 SM3/16"×28	NUT SM3/16"x28	1
52	20004358	眼睛防护罩组件	SAFETY_PLATE_ASM.	(1)
53	10031715	信号转接板	SIGNAL_SWITCH_BOARD	1
54	10008936	安全提示牌	SAFETY_WARNING_SIGN	1
55	10009103	螺钉 M4 L=16	SCREW M4 L=16	4
56	10002471	单芯电线	SINGAL_WIRE	1
57	10024992	转接板支柱	SUPPORT_PILLAR	4

## 2. FRAME & MISCELLANEOUS COVER COMPONENTS (2)

机头、外装部件(2)



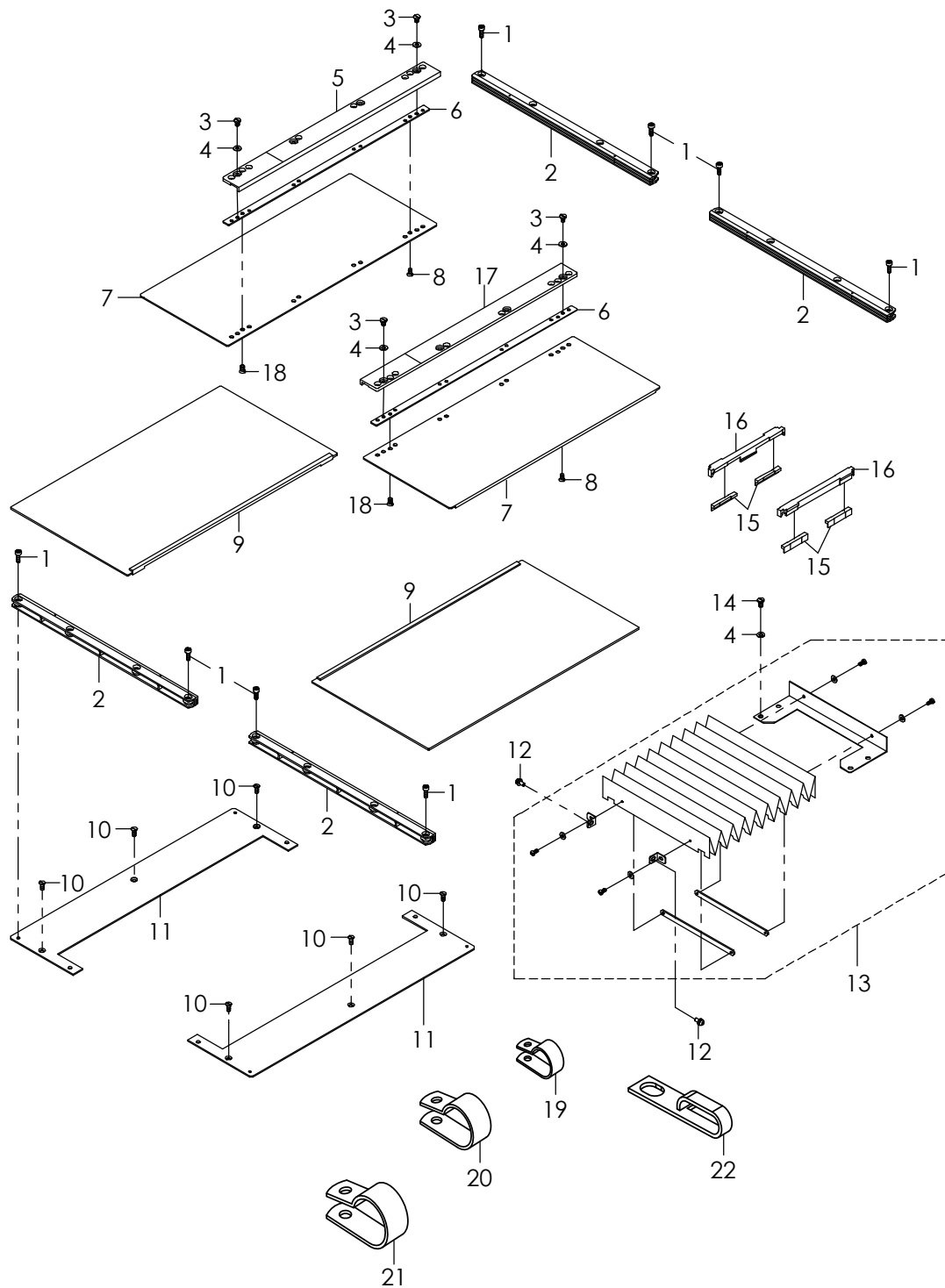
## 2. 机头、外装部件(2)

## FRAME &amp; MISCELLANEOUS COVER COMPONENTS (2)

序号 No.	件号 Part No.	名称	DESCRIPTION	数量 Qty
1	10014441	螺钉 M4 L=6	SCREW M4 L=6	15
2	10011680	垫圈 4.6×9.7×0.8	WASHER 4.6x9.7x0.8	20
3	10006780	垫圈 5.2	WASHER 5.2	14
4	10000595	螺钉 SM11/64"×40 L=9	SCREW SM11/64"x40 L=9	12
5	10029862	大缝台支板	COVER_BASE_A	2
6	10006806	缝台左大支架	COVER_SUPPORT_L	2
7	10000480	垫圈 6	WASHER 6	18
8	10005122	螺钉 M6 L=10	SCREW M6 L=10	22
9	10000803	缝台支架板	COVER_BASE_B	2
10	10000799	缝台右大支架	COVER_SUPPORT_R	2
11	10029860	缝台支撑座	COVER_SUPPORT_BASE	2
12	10009556	螺钉 M4 L=7	SCREW M4 L=7	6
13	10029876	缝台	NEEDLE_PLATE_SUPPORT_COVER	1
14	10009195	螺钉 M4 L=7.8	SCREW M4 L=7.8	2
15	10000197	缝台固定板2	COVER_SUPPORT_2	2
16	10000852	螺钉 SM3/16"×28 L=9	SCREW SM3/16"x28 L=9	2
17	10011420	弹簧	PRESSER SPRING A	1
18	10010815	销	PIN	1
19	10010807	弹簧	PRESSER SPRING B	2
20	10010808	螺钉 SM11/64"×40 L=7.8	SCREW SM11/64"x40 L=7.8	1
21	20004123	梭床罩	HOOK COVER ASM.	1
22	10000813	支撑座销套	BED HINGE RUBBER PAD	2
23	10003171	螺钉 M10 L=70	SCREW M10 L=70	4
24	10001937	平垫圈 10	WASHER 10	8
25	20003455	支撑座	BED HINGE	2
26	10003087	弹簧垫圈 10	SPRING WASHER 10	4
27	10012605	螺母 M10	NUT M10	4
28	10000814	支撑座销	BED HINGE PIN	2
29	10012014	螺钉 M5 L=4	SCREW M5 L=4	2
30	10000809	螺钉 M6 L=10	SCREW M6 L=10	4
31	10029901	压板	PRESSURE_PLATE	1
32	10031472	限位板	FRAME SUPPORT	1
33	10000184	底板正面大油塞	RUBBER PLUG	2
34	10000707	螺钉组件 M4 L=5.6	SCREW M4 L=5.6	12
35	20010038	X向电机盖板	X_MOTOR_COVER	1
36	20010037	Y向电机盖板	Y_MOTOR_COVER	1
37	20010039	油窗固定板	OIL_TANK_INSTALLING_PLATE	1
38	10014296	油窗塞	RUBBER PLUG	2
39	10021601	油窗组件	OIL TANK ASM.	1
40	10011136	橡胶塞	RUBBER PLUG	2
41	10003887	螺母 M3	NUT M3	4
42	10028678	毛毡	FELT	1
43	10028677	齿轮油罩	GREASE COVER	1
44	10000927	垫圈	WASHER 3.2	2
45	10001513	螺钉 M3 L=6	SCREW M3 L=6	4
46	10029902	压板片	PRESSURE_PLATE_SHEET	2
47	10009595	螺钉 M4 L=4.5	SCREW M4 L=4.5	10
48	10000909	螺钉 M3 L=8	SCREW M3 L=8	2
49	10032786	3020缝台贴膜	NEEDLE_PLATE_SUPPORT_COVER_PROTECTOR	1
50	10008974	接地标贴	GROUND SIGN	1

### 3. FRAME & MISCELLANEOUS COVER COMPONENTS (3)

机头、外装部件(3)



## 3. 机头、外装部件(3)

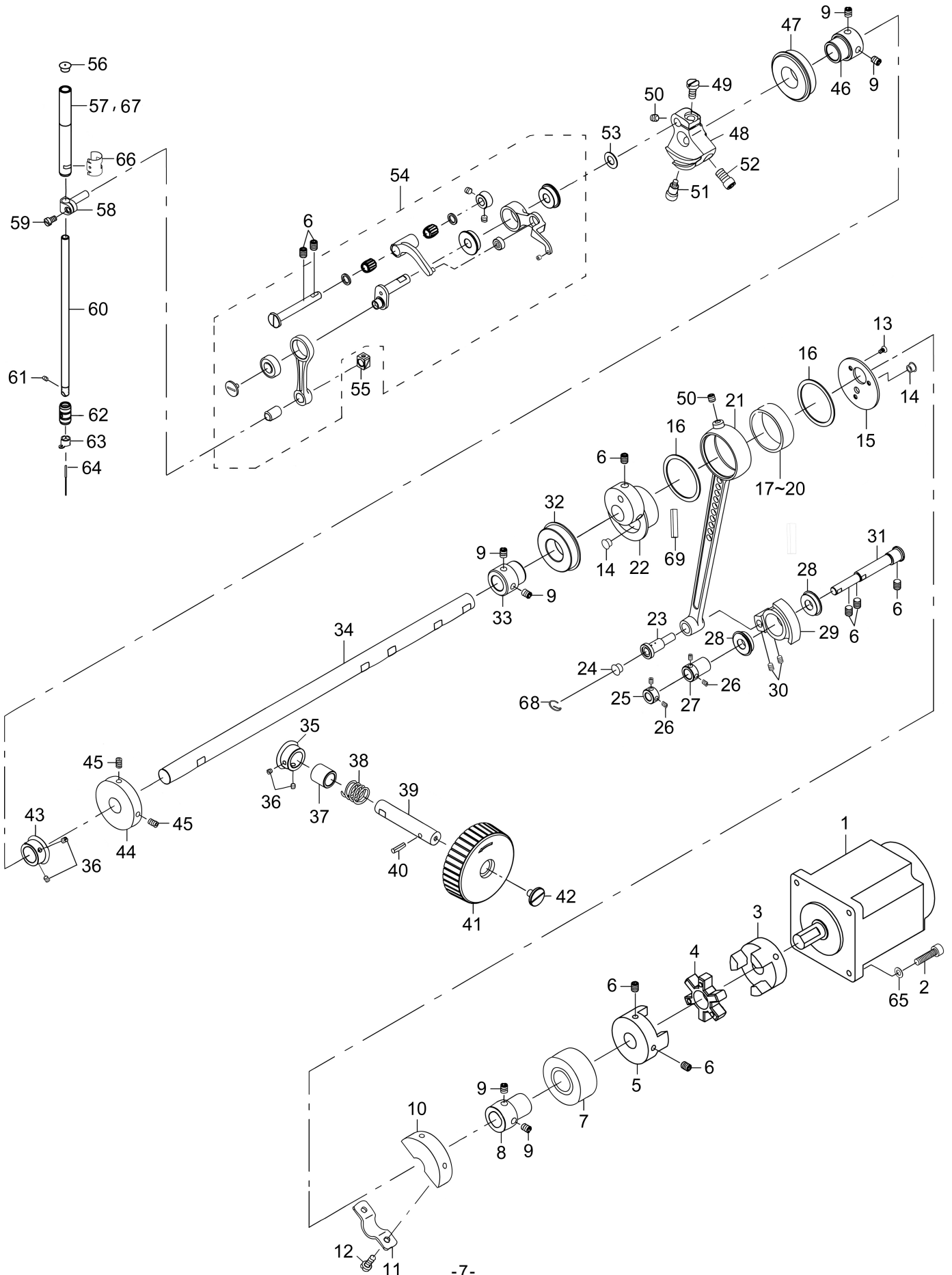
## FRAME &amp; MISCELLANEOUS COVER COMPONENTS (3)

序号 No.	件号 Part No.	名称	DESCRIPTION	数量 Qty
1	10000863	螺钉 M4 L=12	SCREW M4 L=12	16
2	10000816	塑料导轨	X MOVEMENT COVER RAIL	4
3	10011142	螺钉 SM11/64"×40 L=6	SCREW SM11/64"×40 L=6	8
4	10011680	垫圈 4.6×9.7×0.8	WASHER 4.6×9.7×0.8	12
5	10034480	左塑料盖板	Y MOVEMENT COVER RAIL L	1
6	10000804	安装板铁板	RAIL STOPPER PLATE	2
7	10000798	滑移内盖板组件	X MOVEMENT UPPER COVER ASM	2
8	10011511	沉头螺钉 SM11/64"×40 L=8	SCREW SM11/64"×40 L=8	6
9	10029864	X向滑移板组件	X MOVEMENT LOWER COVER ASM.	2
10	10009195	螺钉 M4 L=7.8	SCREW M4 L=7.8	6
11	10029865	外侧钢板	FEED BASE COVER	2
12	10000707	螺钉组件 M4 L=5.6	SCREW M4 L=5.6	2
13	10000810	防尘罩组件	FEED COVER ASM	1
14	10010808	螺钉 SM11/64"×40 L=7.8	SCREW SM11/64"×40 L=7.8	4
15	10000811	橡胶垫	Y GUIDE RAIL BUSH	4
16	10000808	挡块	Y GUIDE RAIL BRACKET	2
17	10034479	右塑料盖板	Y MOVEMENT COVER RAIL R	1
18	10000520	螺钉 SM11/64"×40 L=5.6	SCREW SM11/64"×40 L=5.6	6
19	10001546	电线夹 (R5)	CABLE CLIP(R5)	1
20	10001546	电线夹 (R7.5)	CABLE CLIP(R7.5)	4
21	10031975	电线夹 (R9.25)	CABLE CLIP(R9.25)	1
22	10000082	前支脚油线夹	CABLE CLIP	7



# 4. MAIN SHAFT & NEEDLE BAR COMPONENTS

上轴、针杆部件



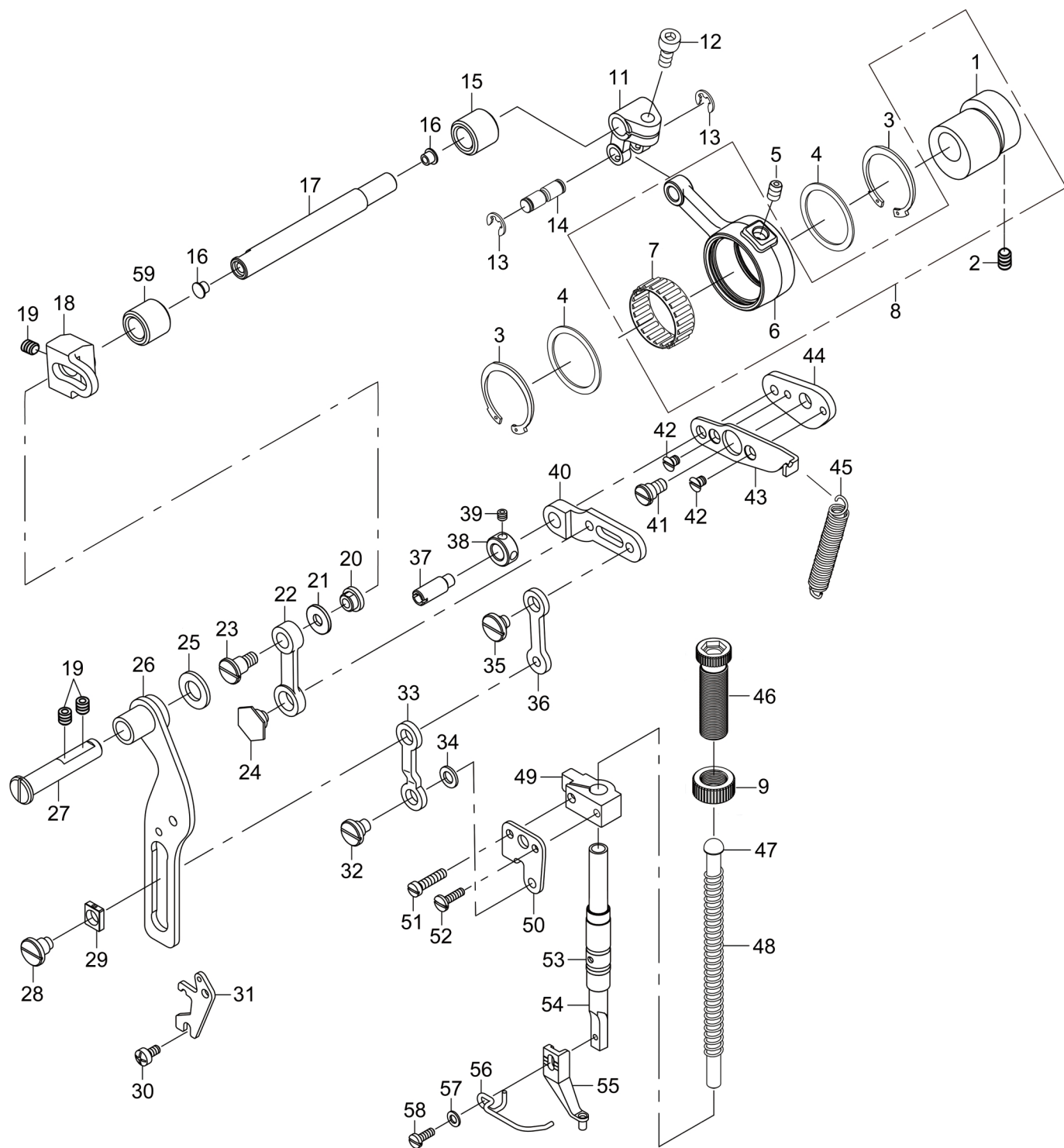
## 4. 上轴、针杆部件

## MAIN SHAFT &amp; NEEDLE BAR COMPONENTS

序号 No.	件号 Part No.	名称	DESCRIPTION	数量 Qty
1	10031828	主轴电机	MAIN SHAFT SERVO MOTOR	1
2	10001943	螺钉 M5 L=20	SCREW M5 L=20	4
3	10012615	联轴器(1)	COUPLING (1)	1
4	10011227	联轴器橡胶块	COUPLING RUBBER	1
5	10012613	联轴器(2)	COUPLING (2)	1
6	10009187	螺钉 M6 L=8	SCREW M6 L=8	11
7	10025863	轴承 5204Z	BEARING 5204Z	1
8	10014264	轴承衬套	BEARING_BUSH	1
9	10010678	螺钉 15/64-28 L=8	SCREW 15/64-28 L=8	6
10	10014337	上轴平衡轮	MAIN SHAFT BALANCER	1
11	10014332	平衡轮固定板	BALANCER_FIX_PLATE	1
12	10011644	螺钉 M5 L=13	SCREW M5 L=13	2
13	10009626	螺钉 M3 L=6	SCREW M3 L=6	3
14	10014266	橡胶塞	RUBBER PLUG	2
15	10014268	大连杆滚针轴承盖板	CRANK_ROD_SUPPORT_PLATE	1
16	10014269	挡圈	BEARING_SUPPORT_PLATE	2
17	10023508	滚针轴承	NEEDLE BEARING	1
18	10023509	滚针轴承	NEEDLE BEARING	1
19	10023510	滚针轴承	NEEDLE BEARING	1
20	10023511	滚针轴承	NEEDLE BEARING	1
21	10014270	大连杆	CRANK ROD	1
22	10014265	大连杆偏心轮	ECCENTRIC CAM	1
23	10014333	销	CONNECTING SHAFT	1
24	10011188	橡胶塞	RUBBER PLUG	1
25	10004600	挡圈	THRUST COLLAR	1
26	10013590	螺钉 11/64-40 L=4	SCREW 11/64-40 L=4	4
27	10025296	挡圈	THRUST COLLAR	1
28	10003533	轴承 6900ZZNR	BEARING 6900ZZNR	1
29	10008790	扇形齿轮	OSCILLATING GEAR	1
30	10012162	螺钉 M5 L=5	SCREW M5 L=5	2
31	10029482	扇形齿轮偏心轴	OSCILLATING_GEAR_ECCENTRIC_SHAFT	1
32	10029408	6022RZ-BOM轴承	BEARING 6022RZ	1
33	10014362	轴承衬套	BEARING_BUSH	1
34	10029869	上轴	MAIN SHAFT	1
35	10021312	齿轮 A	GEAR_A	1
36	10011226	螺钉 11/64-40 L=2.8	SCREW 11/64-40 L=2.8	4
37	10027277	轴套	NEEDLE FEED SHAFT METAL	1
38	10011242	弹簧	SPRING	1
39	10027278	手轮轴	HANDWHEEL SHAFT	1
40	10006073	销	SPRING PIN	1
41	10011603	手轮	HANDWHEEL	1
42	10011225	螺钉 M6	HANDWHEEL SETSCREW M6	1
43	10027407	齿轮 B	GEAR_B	1
44	10009172	绕线主动轮	BOBBIN WINDER DRIVING WHEEL	1
45	10011223	螺钉 11/64-40 L=11.5	SCREW 11/64-40 L=11.5	2
46	10014280	轴承衬套	BEARING_BUSH	1
47	10025882	6004NR-2RS_BOM轴承	BEARING 6004NR-2RS	1
48	10014283	针杆曲柄	COUNTER WEIGHT	1
49	10014272	螺钉 M6 L=11.5	SCREW M6 L=11.5	1
50	10022863	螺钉 M6 L=6	SCREW M6 L=6	2
51	10014282	螺钉 M8	SCREW M8	1
52	10014284	螺钉 M8 L=12	SCREW M8 L=12	1
53	10011622	垫圈 8×15×0.7	WASHER 8x15x0.7	1
54	10021602	挑线杆组件	THREAD_TAKE_UP_COMPL	1
55	10011194	针杆连接轴滑块	SLIDE BLOCK	1
56	10010587	橡胶塞	RUBBER PLUG	1
57	10039490	针杆上轴套	NEEDLE_BAR_METAL	1
58	10010590	针杆连接柱	NEEDLE BAR CONNECTING	1
59	10030286	螺钉 9/64-40 L=6	SCREW 9/64-40 L=6	1
60	10000323	针杆	NEEDLE BAR	1
61	10010588	螺钉 1/8-44 L=4.5	SCREW 1/8-44 L=4.5	1
62	10027275	针杆下轴套	NEEDLE_BAR_LOWER_METAL	1
63	10000237	针杆线钩	THREAD GUIDE	1
64	10004896	机针 DP×17 18#	NEEDLE DPx17 18#	1
65	10000260	垫圈 5.2×9.8×1	WASHER 5.2x9.8x1	4
66	10031678	挡油片	NEEDLE_BAR_METAL_GREASE_COVER	1
67	10039491	针杆上轴套	NEEDLE_BAR_METAL	(1)
68	10031713	防松扭簧	SPRING	1
69	10007993	毛毡	OIL FELT PAD	1

# 5. PRESSER MECHANISM & PRESSER VARIABLE COMPONENTS (1)

## 中压脚部件(1)

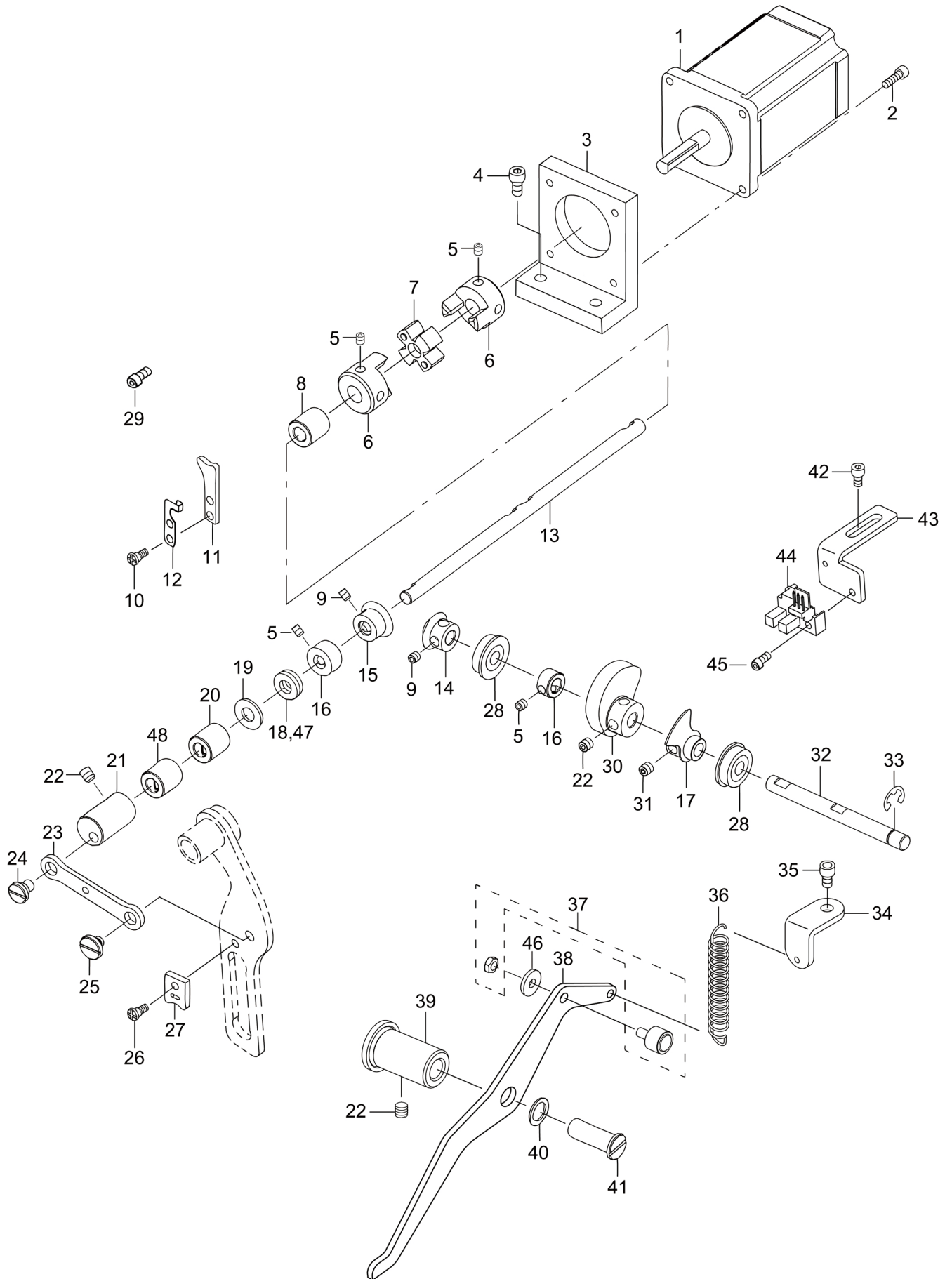


5. 中压脚部件(1) PRESSER MECHANISM & PRESSER VARIABLE COMPONENTS (1)

序号 No.	件号 Part No.	名称	DESCRIPTION	数量 Qty
1	10027282	偏心轮	ECCENTRIC CAM	1
2	10009187	螺钉 M6 L=8	SCREW M6 L=8	2
3	10030861	挡圈	RETAINING RING	2
4	10027336	垫圈 28.5×35×1	WASHER 28.5x35x1	2
5	10022863	螺钉 M6×0.75 L=6	SCREW M6 L=6	1
6	10027280	连杆	CRANK CONNECTING ROD	1
7	10027337	滚针轴承	NEEDLE BEARING	1
8	10047391	连杆组件	CRANK CONNECTING ROD ASM	1
9	10034529	调压螺母	PRESS ADJUSTING NUT	1
11	10000642	压脚同步曲柄	FORKED LINK	1
12	10009008	螺钉 M6 L=16	SCREW M6 L=16	1
13	10009654	开口挡圈 6	E-RING 6	2
14	10027283	销	CONNECTING SHAFT	1
15	10040151	轴套	BUSHING	1
16	10027286	橡胶塞	RUBBER PLUG	2
17	10027285	压脚行程调节曲柄轴	PRESSER WAVING SHAFT	1
18	10000479	压脚行程调节曲柄	ADJUSTING ARM	1
19	10011232	螺钉 M6 L=6	SCREW M6 L=6	3
20	10000632	螺母	ADJUSTING NUT	1
21	10000480	垫圈 6	WASHER 6	1
22	10027288	连杆	INTERMEDIATE PRESSURE LINK A	1
23	10027287	螺钉 15/64-28	SCREW 15/64-28	1
24	10027289	螺钉	SCREW	1
25	10027307	垫圈 10.4×19×2	WASHER 10.4x19x2	1
26	10027331	提升导轨组件	PRESSURE VARIABLE PLATE ASM	1
27	10027308	定位轴	LOCATING SHAFT	1
28	10027302	螺钉	SCREW	1
29	10027301	压脚提升导轨滑块	SLIDE BLOCK	1
30	10009868	螺钉 M4 L=8	SCREW M4 L=8	2
31	10027293	复位簧拉板	SPRING LOCATING PLATE	1
32	10027303	螺钉	SCREW	1
33	10027300	压脚提升导轨连杆	INTERMEDIATE PRESSURE LINK B	1
34	10012830	垫圈 6.2×10.3×1.2	WASHER 6.2x10.3x1.2	1
35	10027299	螺钉	SCREW	1
36	10027298	压脚上下连杆	INTERMEDIATE PRESSURE LINK C	1
37	10000482	销 SM1/4"×40	HINGE SCREW	1
38	10000483	挡圈	THRUST COLLAR	1
39	10013590	螺钉 11/64-40 L=4	SCREW 11/64-40 L=4	2
40	10027290	压脚行程摆杆	INTERMEDIATE PRESSURE LINK D	1
41	10000481	螺钉	SCREW	1
42	10000520	沉头螺钉 11/64-40 L=4	SCREW 11/64-40 L=4	2
43	10027291	压脚调节复位板1	POSITIONING LINK 1	1
44	10027292	压脚调节复位板2	POSITIONING LINK 2	1
45	10027294	弹簧	SPRING	1
46	10034528	调压螺钉	PRESS ADJUSTING SCREW	1
47	10000636	压脚调压导杆	PRESSER GUIDE BAR	1
48	10000522	压脚调压簧	PRESS ADJUSTING SPRING	1
49	10027305	压杆导架	PRESSER BAR GUIDE BRACKET	1
50	10027304	提升板	LINK CONNECTING PLATE	1
51	10033253	螺钉 11/64-40 L=18	SCREW 11/64-40 L=18	1
52	10009325	螺钉 9/64-40 L=13.5	SCREW 9/64-40 L=13.5	1
53	10027306	压杆轴套	PRESSER BUSHING	1
54	10010646	压杆	PRESSER BAR	1
55	10000489	压脚	INTERMEDIATE PRESSER	1
56	10000487	护指架	FINGER GUARD	1
57	10011680	垫圈 4.6×9.7×0.8	WASHER 4.6x9.7x0.8	1
58	10010650	螺钉 9/64-40 L=10.5	SCREW 9/64-40 L=10.5	1
59	10040151	轴套	BUSHING	1

# 6. PRESSER MECHANISM & PRESSER VARIABLE COMPONENTS (2)

## 中压脚部件(2)



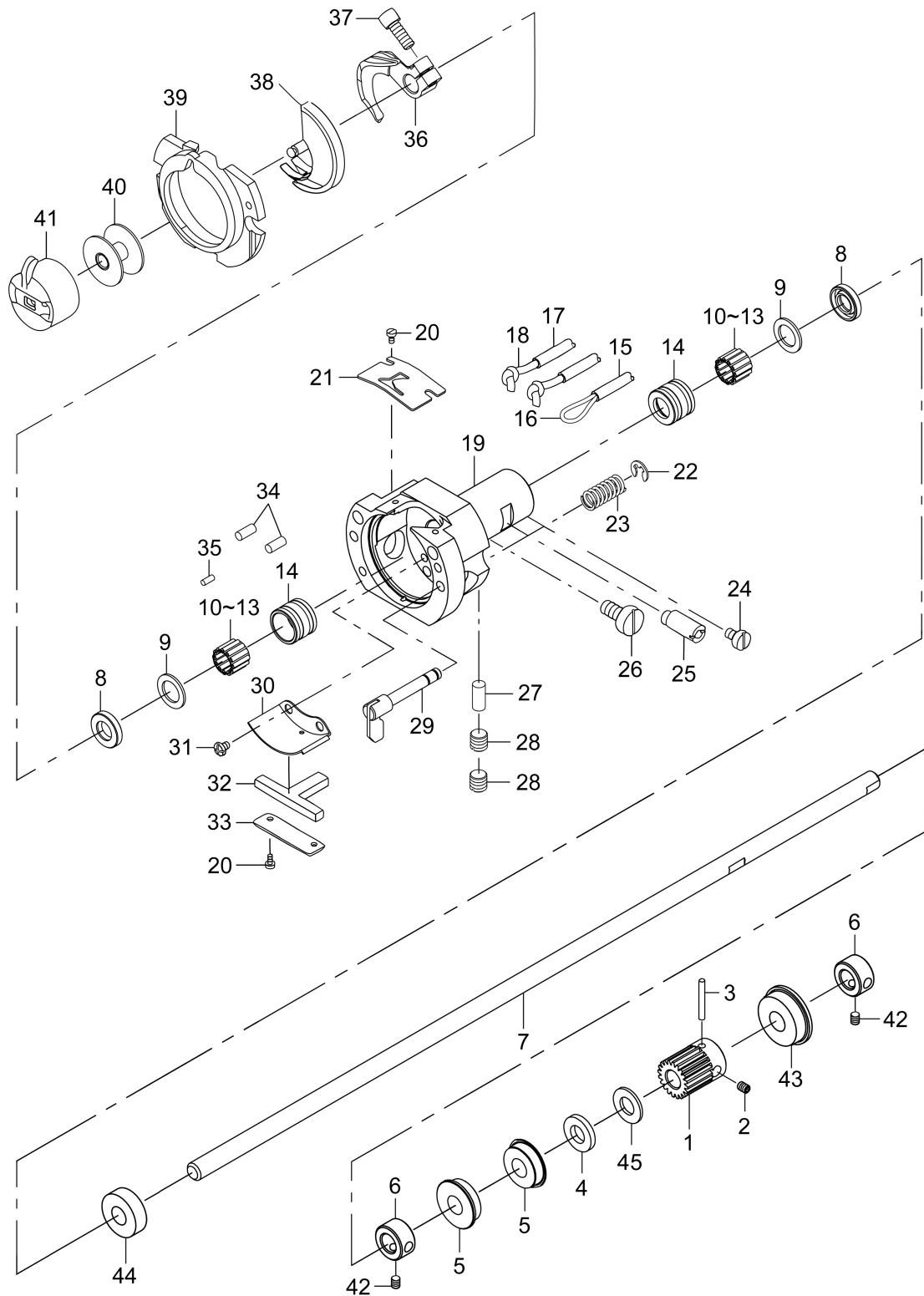
## 6. 中压脚部件(2)

## PRESSER MECHANISM &amp; PRESSER VARIABLE COMPONENTS (2)

序号 No.	件号 Part No.	名称	DESCRIPTION	数量 Qty
1	10027402	步进电机	STEPPING MOTOR	1
2	10009103	螺钉 M4 L=16	SCREW M4 L=16	4
3	10027319	电机座	MOTOR BRACKET	1
4	10002028	螺钉 M6 L=20	SCREW M6 L=20	2
5	10012014	螺钉 M5 L=4	SCREW M5 L=4	8
6	10027317	联轴器	COUPLING	2
7	10027318	联轴器橡胶块	COUPLING RUBBER	1
8	10027314	轴套	BUSHING	1
9	10003153	螺钉 M5 L=5	SCREW M5 L=5	4
10	10009868	螺钉 M4 L=8	SCREW M4 L=8	2
11	10027296	油毡	OIL FELT PAD	1
12	10027297	油毡架	OIL FELT PAD BRACKET	1
13	10027315	压脚提升连杆轴	PRESSER VARIABLE SHAFT	1
14	10027316	齿轮 A	GEAR A	1
15	10028805	齿轮 B	GEAR B	1
16	10027320	挡圈	THRUST COLLAR	2
17	10027334	电机传感片组件	SENSOR SLIT ASM	1
18	10007147	单向推力球轴承	BEARING	1
19	10000212	垫圈 8.5	WASHER 8.5	1
20	10027313	轴套	BUSHING	1
21	10027312	偏心轴	ECCENTRIC SHAFT	1
22	10011232	螺钉 M6 L=6	SCREW M6 L=6	5
23	10027310	压脚提升连杆	PRESSER VARIABLE LINK	1
24	10027311	螺钉 M6	SCREW M6	1
25	10030834	螺钉 M6	SCREW M6	1
26	10010193	螺钉 M4	SCREW M4	1
27	10027309	油毡	OIL FELT PAD	1
28	10003582	轴承 F608ZZ	BEARING F608ZZ	2
29	10005539	螺钉 M5 L=6	SCREW M5 L=6	1
30	10027321	压脚凸轮	LIFTING CAM	1
31	10011232	螺钉 M6 L=6	SCREW M6 L=6	2
32	10027322	压脚提升驱动轴	PRESSER LIFT SHAFT	1
33	10009654	E型挡圈 6	E-RING 6	1
34	10027323	抬压脚复位簧拉板	SPRING LOCATING PLATE	1
35	10000355	螺钉 M6 L=8	SCREW M6 L=8	1
36	10027326	弹簧	SPRING	1
37	10003657	凸轮从动轴承	CAM FOLLOWER	1
38	10027325	压脚驱动臂	LIFTING LINK	1
39	10027324	轴套	BUSHING	1
40	10000434	垫圈 11.2×16.3×1	WASHER 11.2×16.3×1	1
41	10027364	定位轴	LOCATING SHAFT	1
42	10001239	组合螺钉 M4 L=6	SCREW M4 L=6	2
43	10027335	中压脚传感器安装板	SENSOR INSTALLING BASE	1
44	10032404	传感器	SENSOR	1
45	10000984	组合螺钉 M3 L=8	SCREW M3 L=8	1
46	10027328	垫圈	WASHER	1
47	10007241	推力球轴承挡圈 8.3×16×1	WASHER 8.3×16×1	2
48	10048177	轴套	BUSHING	1

# 7. SHUTTLE DRIVER SHAFT COMPONENTS

下轴部件



## 7. 下轴部件

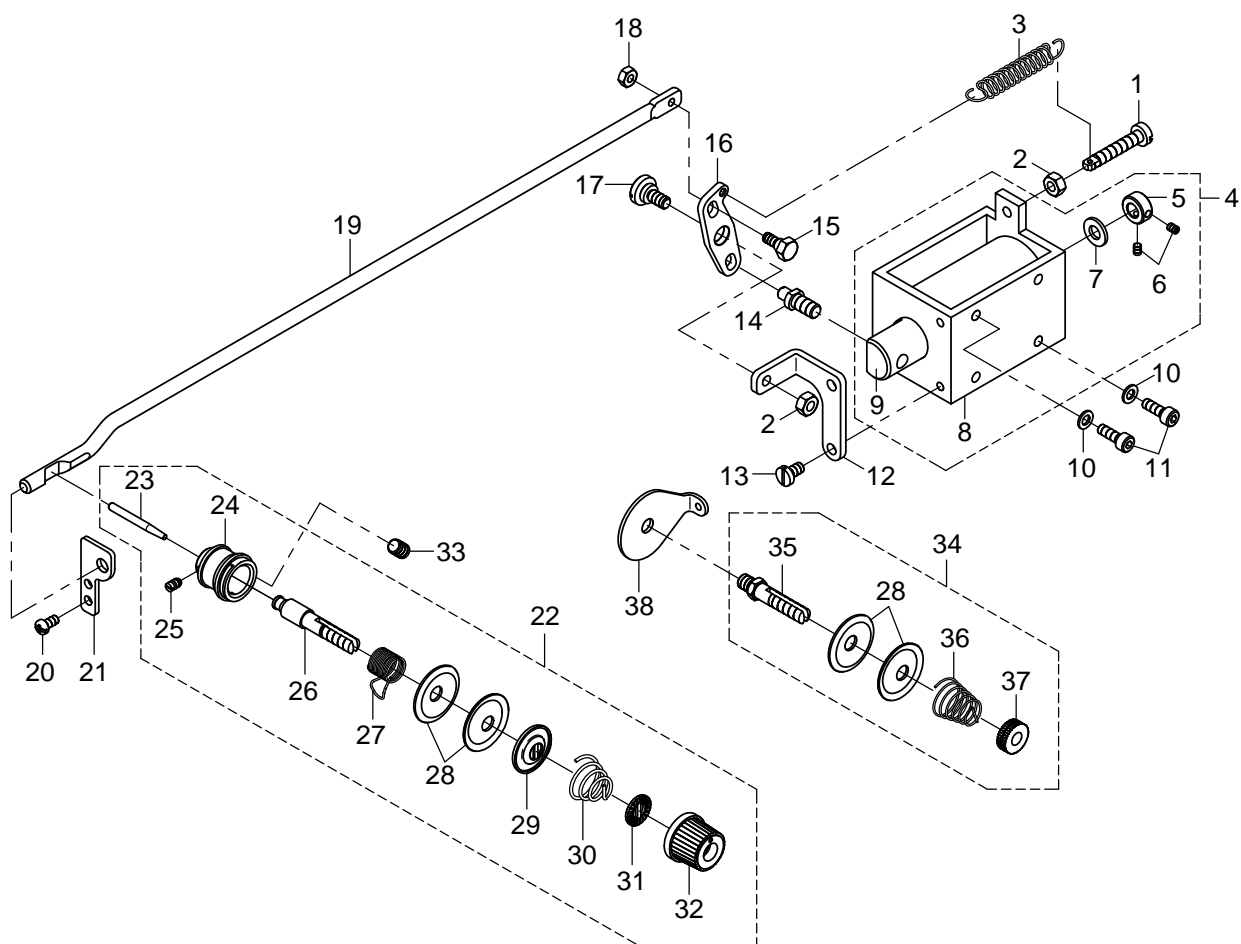
## SHUTTLE DRIVER SHAFT COMPONENTS

序号 No.	件号 Part No.	名称	DESCRIPTION	数量 Qty
1	10027339	下轴齿轮	SHUTTLE_DRIVER_SHAFT_GEAR	1
2	10001430	螺钉 M6 L=4	SCREW M6 L=4	1
3	10007893	销	PIN	1
4	10010804	垫圈 8.2×16×2.5	WASHER 8.2×16×2.5	1
5	10009776	轴承 F698ZZ	BEARING F698ZZ	2
6	10027320	挡圈	THRUST COLLAR	2
7	10029881	下轴	SHUTTLE_DRIVER_SHAFT	1
8	10014297	油封	SHUTTLE_OIL_SEAL	2
9	10014295	挡圈	SHUTTLE_BEARING_RING	2
10	10023516	滚针轴承	NEEDLE BEARING	2
11	10023517	滚针轴承	NEEDLE BEARING	2
12	10023518	滚针轴承	NEEDLE BEARING	2
13	10023519	滚针轴承	NEEDLE BEARING	2
14	10008576	梭床衬套	BEARING_BUSH	2
15	10007800	回油管	TUBE	600
16	10008103	油线	OIL WICK	750
17	10007800	供油管	TUBE	500×2
18	10008103	油线	OIL WICK	400×2
19	10026549	梭床与盖组件	SHUTTLE ASM	1
20	10010744	螺钉 3/32-56 L=3.5	SCREW 3/32-56 L=3.5	4
21	10004596	梭床簧	SHUTTLE_UPPER_SRRING	1
22	10009669	E型挡圈 3.5	E-RING 3.5	2
23	10004495	弹簧	SPRING	2
24	10011425	螺钉 11/64-40 L=4.3	SCREW 11/64-40 L=4.3	1
25	10011426	梭床调节销	SHUTTLE_RACE_ADJUSTING_SHAFT	1
26	10010817	螺钉 15/64-28 L=11.5	SCREW 15/64-28 L=11.5	1
27		塑料塞	PLASTIC PLUG	1
28	10011232	螺钉 M6 L=6	SCREW M6 L=6	2
29	10004261	梭床盖锁紧钩组件	INNER HOOK PRESSER ASM	2
30	10007926	油线夹板	SHUTTLE LUBRICATING PLATE	1
31	10010797	螺钉 9/64-40 L=4	SCREW 9/64-40 L=4	2
32	10010800	油毡	OIL FELT PAD	1
33	10010799	油毡压板	OIL FELT PAD PRESSER	1
34	10011427	油毡	OIL FELT PAD	2
35	10011077	油毡	OIL FELT PAD	1
36	10000573	摆梭托	SHUTTLE DRIVER	1
37	10004611	螺钉 3/16-28 L=12	SCREW 3/16-28 L=12	1
38	10003802	摆梭	SHUTTLE	1
39	10010738	梭床盖组件	SHUTTLE COVER ASM	1
40	10000649	梭心	BOBBIN	1
41	10003783	梭壳	BOBBIN CASE	1
42	10012014	螺钉 M5 L=4	SCREW M5 L=4	4
43	10003582	轴承 F608ZZ	BEARING F608ZZ	1
44	10003537	轴承 698ZZ	BEARING 698ZZ	1
45	10011339	垫圈 8×16×1	WASHER 8×16×1	1



## 8. TENSION RELEASE & THREAD TENSION COMPONENTS

松线部件



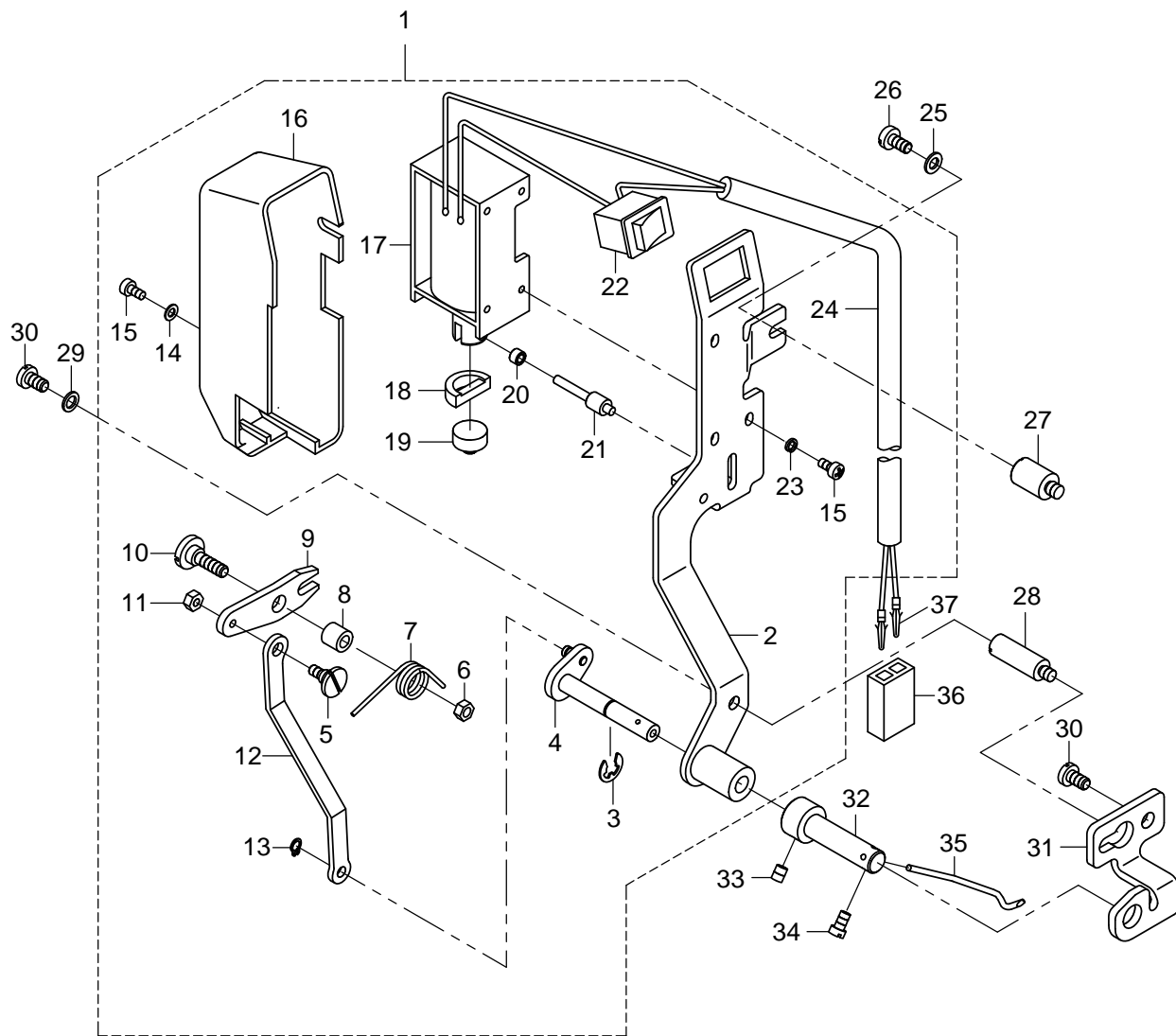
## 8. 松线部件

## TENSION RELEASE &amp; THREAD TENSION COMPONENTS

序号 No.	件号 Part No.	名称	DESCRIPTION	数量 Qty
1	10014323	螺钉 M5 L=24	SCREW M5 L=24	1
2	10000353	螺母 M5	NUT M5	2
3	10014356	弹簧	SPRING	1
4	10027357	松线电磁铁组件	SOLENOID ASM	1
5	10008025	挡圈	THRUST COLLAR	(1)
6	10002853	螺钉 M3 L=4	SCREW M3 L=4	(2)
7	10008028	垫圈 12.3×18.5×3	WASHER 12.3×18.5×3	(1)
8	10027358	松线电磁铁线圈	SOLENOID COIL	(1)
9	10008029	松线电磁铁芯轴	SOLENOID MANDREL	(1)
10	10011680	垫圈 4.6×9.7×0.8	WASHER 4.6×9.7×0.8	2
11	10000863	螺钉 M4 L=12	SCREW M4 L=12	2
12	10014319	松线曲柄架	TENSION RELEASE CRANK FRAME	1
13	10010668	螺钉 SM11/64"×40 L=7.8	SCREW SM11/64"×40 L=7.8	2
14	10028973	螺钉 M6	SCREW M6	1
15	10027381	螺钉 M4	SCREW M4	1
16	10014316	松线曲柄	TENSION RELEASE CRANK	1
17	10014317	螺钉 M5	SCREW M5	1
18	10009471	螺母 M4	NUT M4	1
19	10029871	松线杆	TENSION RELEASE BAR	1
20	10011143	螺钉 SM9/64"×40 L=7	SCREW SM9/64"×40 L=7	2
21	10027356	松线杆定位板	TENSION RELEASE PLATE	1
22	10027360	夹线器组件	THREAD_TENSION_2_ASM	1
23	10027359	松线钉	TENSION RELEASE PIN	(1)
24	10004631	夹线器座	THREAD_TENSION_POST_BASE	(1)
25	10004632	螺钉 SM9/64"×40	SCREW SM9/64"×40	(1)
26	10002407	夹线器总螺钉	SCREW	(1)
27	10004730	弹簧	SPRING	(1)
28	10004393	夹线板	THREAD_TENSION_DISK	(2)
29	10004625	松线板	THREAD_TENSION_DISK_PRESSER	(1)
30	10004626	弹簧	SPRING	(1)
31	10004633	夹线制动板	DISK_STOPPER	(1)
32	10004523	夹线螺母组件	THREAD TENSION NUT	(1)
33	10010678	螺钉 SM15/64"×28 L=8	SCREW SM15/64"×28 L=8	1
34	10011493	夹线组件	THREAD_TENSION_1_ASM	1
35	10004666	螺钉 SM15/64"×28	SCREW SM15/64"×28	(1)
36	10004669	弹簧	SPRING	(1)
37	10004664	螺母 SM1/4"×40	SCREW SM1/4"×40	(1)
38	10000541	夹线器过线器	THREAD GUIDE	1

# 9. WIPER MECHANISM COMPONENTS

拨线部件



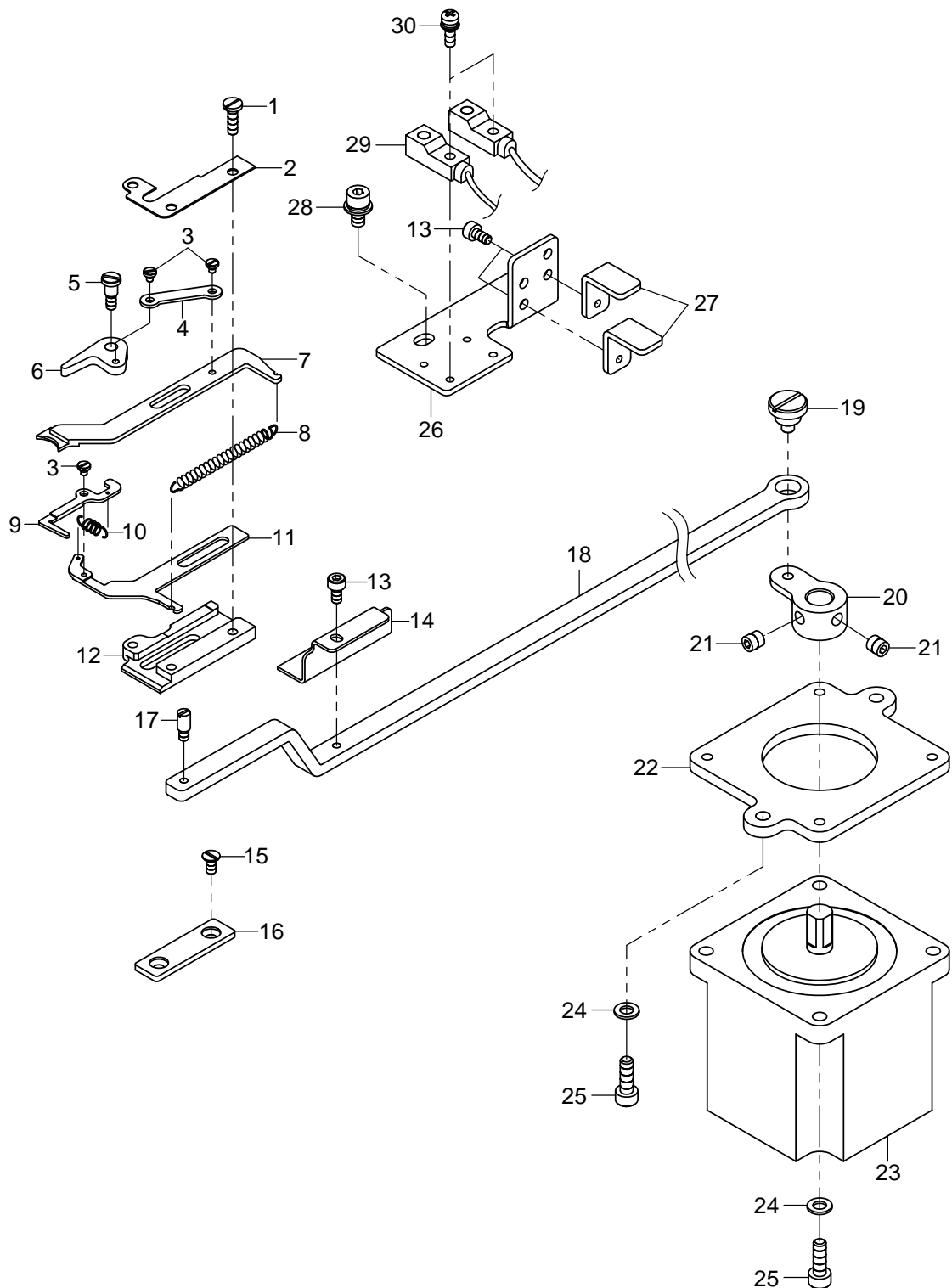
## 9. 拨线部件

## WIPER MECHANISM COMPONENTS

序号 No.	件号 Part No.	名称	DESCRIPTION	数量 Qty
1	10027354	拨线电磁铁组件	WIPER ASM.	1
2	10027353	拨线电磁铁支架组件	WIPER_BASE_ASM.	(1)
3	10010649	挡圈	E-RING	(1)
4	10005730	拨线驱动轴部件	WIPER_DRIVING_SHAFT_ASM	(1)
5	10005738	螺钉 SM9/64"×40	SCREW SM9/64"x40	(1)
6	10005735	螺母 SM11/64"×40	NUT SM11/64"x40	(1)
7	10005770	弹簧	SPRING	(1)
8	10005767	轴套	WIPER_HINGE_SCREW_COLLAR	(1)
9	10005728	拨线传动板	WIPER_LINK_B	(1)
10	10005726	螺钉 SM11/64"×40	SCREW SM11/64"x40	(1)
11	10005766	螺母 SM9/64"×40	NUT SM9/64"x40	(1)
12	10027351	拨线拉杆	WIPER_LINK_A	(1)
13	10024749	挡圈	RING	(1)
14	10003017	垫圈 3	WASHER 3	(1)
15	10003036	螺钉 M3 L=6	SCREW M3 L=6	(4)
16	10005724	拨线器罩	WIPER COVER	(1)
17	10005736	拨线电磁铁	WIPER_SOLENOID	(1)
18	10005739	铁芯橡皮垫	WIPER RUBBER A	(1)
19	10012488	铁芯复位垫	WIPER RUBBER B	(1)
20	10005769	传动销滚柱	WIPER LINK COLLAR	(1)
21	10005719	销	WIPER_SOLENOID_SHAFT	(1)
22	10005731	拨线器开关	SWITCH	(1)
23	10003082	弹簧垫圈 3	WASHER 3	(3)
24	10005732	拨线器电线	ELECTRIC WIRE	(1)
25	10011680	垫圈 4.6×9.7×0.8	WASHER 4.6x9.7x0.8	1
26	10009868	螺钉 M4 L=8	SCREW M4 L=8	1
27	10027350	支架螺钉	SCREW	1
28	10000017	滑臂安装板螺柱	SCREW	1
29	10001036	垫圈	WASHER 4.7	1
30	10010668	螺钉 SM11/64"×40 L=7.8	SCREW SM11/64"x40 L=7.8	3
31	10000013	滑臂安装板	WIPER_SHAFT_SUPPORT_BRACKET	1
32	10000014	挑线杆滑臂	WIPER_SHAFT_CAP	1
33	10000563	螺钉 M4 L=5	SCREW M4 L=5	1
34	10010071	螺钉 SM9/64"×40 L=6	SCREW SM9/64"x40 L=6	1
35	10000015	拨线杆	WIPER	1
36	10002454	插接件公端2芯	2-POLE NYLON PLUG	1
37	10002459	芯针孔端	PIN CONTACT	2

# 10. THREAD CLAMP COMPONENTS

夹线部件



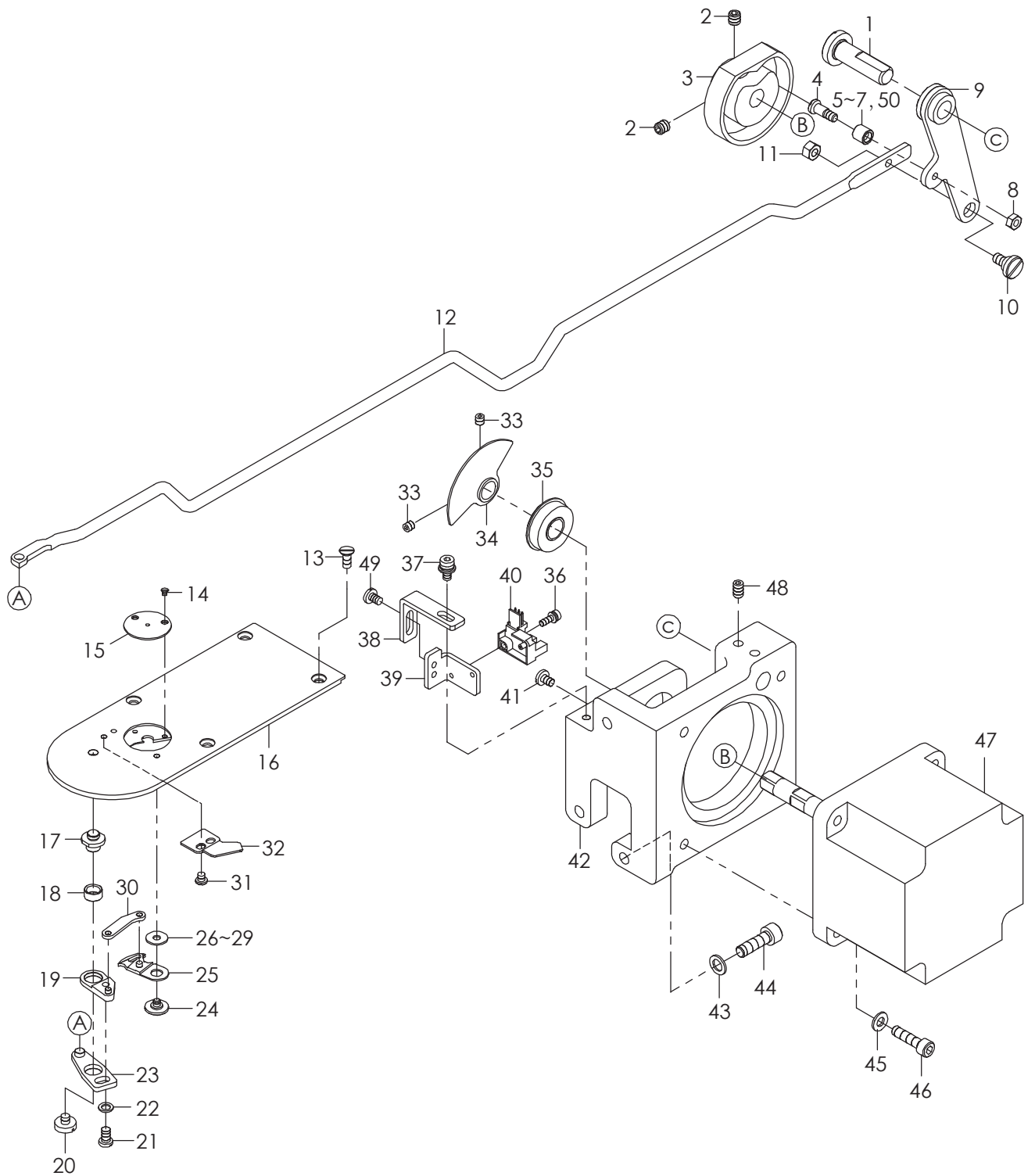
## 10. 夹线部件

## THREAD CLAMP COMPONENTS

序号 No.	件号 Part No.	名称	DESCRIPTION	数量 Qty
1	10027421	螺钉 M3 L=8.8	SCREW M3 L=8.8	3
2	10027411	夹线盖板	TC COVER	1
3	10027420	螺钉	SCREW	3
4	10027414	连杆	CONNECTING_PLATE	1
5	10027413	定位螺钉	SCREW	1
6	10027412	松线臂	THREAD RELEASE ARM	1
7	10027417	夹线滑板	CLAMP_PLATE	1
8	10027419	拉簧	SPRING	1
9	10027416	松线叉	OPEN_PLATE	1
10	10027418	松线拉簧	SPRING	1
11	10027415	松线滑板	TC_SUPPORT_PLATE	1
12	10027410	夹线底座	TC_BASE	1
13	10001513	螺钉 M3 L=6	SCREW M3 L=6	5
14	10027422	传感器检测板	SENSOR_SLIT	1
15	10009667	螺钉 M3 L=6	SCREW M3 L=6	2
16	10027424	垫板	SUPPORT_PLATE	1
17	10027409	传动销钉	DRIVING_PIN	1
18	10027408	夹线拉杆	TC_CONNECTING_LINK	1
19	10014312	螺钉	SCREW	1
20	10014308	夹持装置电机接头	TC_DRIVING_ARM	1
21	10012162	螺钉 M5 L=5	SCREW M5 L=5	2
22	10029882	抓线电机安装板	MOTOR_INSTALLING_PLATE	1
23	10024986	夹线电机	STEPPING MOTOR	1
24	10011680	垫圈 4.6×9.7×0.8	WASHER 4.6×9.7×0.8	6
25	10000863	螺钉 M4 L=12	SCREW M4 L=12	6
26	10029894	传感器安装板	SENSOR_INSTALLING_PLATE	1
27	10029895	夹线支撑板	CONNECTING_LINK_SUPPORT	2
28	10001239	组合螺钉 M4 L=6	SCREW M4 L=6	1
29	10000977	传感器	SENSOR	2
30	10000984	组合螺钉 M3 L=8	SCREW M3 L=8	2

# 11. THREAD TRIMMER MECHANISM COMPONENTS

## 剪线部件



## 11. 剪线部件

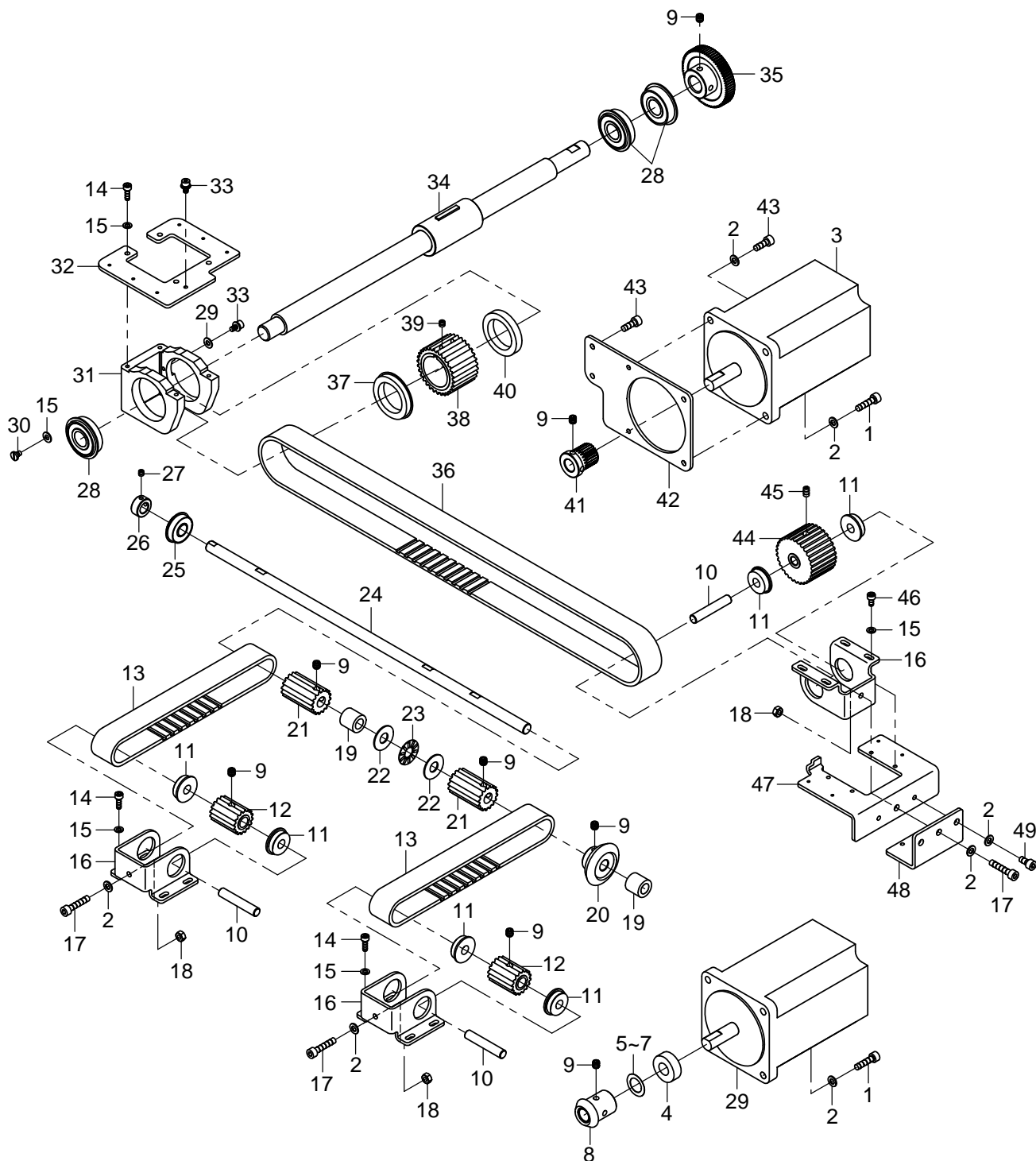
## THREAD TRIMMER MECHANISM COMPONENTS

序号 No.	件号 Part No.	名称	DESCRIPTION	数量 Qty
1	10027364	销	THREAD_TRIMMER_SHAFT	1
2	10003151	螺钉 M6 L=6	SCREW M6 L=6	2
3	10014347	剪线凸轮	THREAD_TRIMMER_CAM	1
4	10014342	螺钉 SM11/64"×40	SCREW SM11/64"x40	1
5	10028245	销套	NEEDLE CAM ROLLER	(1)
6	10028246	销套	NEEDLE CAM ROLLER	(1)
7	10028247	销套	NEEDLE CAM ROLLER	(1)
8	10014354	螺母 SM11/64"×40	NUT SM11/64"x40	1
9	10027371	剪线曲柄组件	THREAD_TRIMMER_LINK_ASM	1
10	10027367	螺钉 M5	SCREW M5	1
11	10000353	螺母 M5	NUT M5	1
12	10029878	拉杆	CONNECTING_BAR	1
13	10009195	螺钉 M4 L=7.8	SCREW M4 L=7.8	4
14	10011509	螺钉 SM3/32"×56 L=1.8	SCREW SM3/32"x56 L=1.8	2
15	10000750	小针板	NEEDLE HOLE GUIDE	1
16	10027365	针板	NEEDLE_PLATE	1
17	10011455	螺钉 SM1/4"×40	SCREW SM1/4"x40	1
18	10011502	动刀杆销衬套	THREAD CUTTING LEVER RING	1
19	10006768	动刀曲柄分组件	THREAD CUTTER LEVER A ASM	1
20	10011503	螺钉 SM11/64"×40 L=3	SCREW SM11/64"x40 L=3	1
21	10009906	螺钉 SM11/64"×40 L=7	SCREW SM11/64"x40 L=7	1
22	10011506	垫圈 4.7×7.5×0.8	WASHER 4.7x7.5x0.8	1
23	10010737	动刀传动杆分组件	THREAD CUTTER LEVER B ASM	1
24	10011500	螺钉 SM9/64"×40	SCREW SM9/64"x40	1
25	10011694	动刀分组件	MOVING KNIFE COMPL	1
26	10025586	调整垫圈A	MOVING KNIFE WASHER A	1
27	10025587	调整垫圈B	MOVING KNIFE WASHER B	(1)
28	10025588	调整垫圈C	MOVING KNIFE WASHER C	(1)
29	10025589	调整垫圈D	MOVING KNIFE WASHER D	(1)
30	10025590	动刀连杆	MOVING KNIFE LINK	1
31	10011499	螺钉 SM9/64"×40 L=3.5	SCREW SM9/64"x40 L=3.5	2
32	10000718	定刀	COUNTER KNIFE	1
33	10013590	螺钉 SM11/64"×40 L=4	SCREW SM11/64"x40 L=4	2
34	10014293	剪线传感片组件	SENSOR_SLIT_ASM	1
35	10003601	轴承	BEARING	1
36	10000984	组合螺钉 M3 L=8	SCREW M3 L=8	1
37	10001239	组合螺钉 M4 L=6	SCREW M4 L=6	1
38	10027363	剪线传感器安装板A	SENSOR_INSTALLING_BASE_A	1
39	10030723	剪线传感器安装板B	SENSOR_INSTALLING_BASE_B	1
40	10032404	传感器	PHOTO SENSOR	1
41	10014441	螺钉 M4 L=6	SCREW M4 L=6	1
42	10027361	剪线电机座	MOTOR_BASE	1
43	10000109	垫圈 6.6	WASHER 6.6	3
44	10002028	螺钉 M6 L=20	SCREW M6 L=20	3
45	10011440	垫圈 5	WASHER 5	4
46	10001943	螺钉 M5 L=20	SCREW M5 L=20	4
47	10027401	电机	STEPPING MOTOR	1
48	10004949	螺钉 M5 L=8	SCREW M5 L=8	2
49	10014441	螺钉 M4 L=6	SCREW M4 L=6	1
50	10034929	销套	NEEDLE CAM ROLLER	1



## 12. X-Y COMPONENTS (1)

### X-Y部件(1)



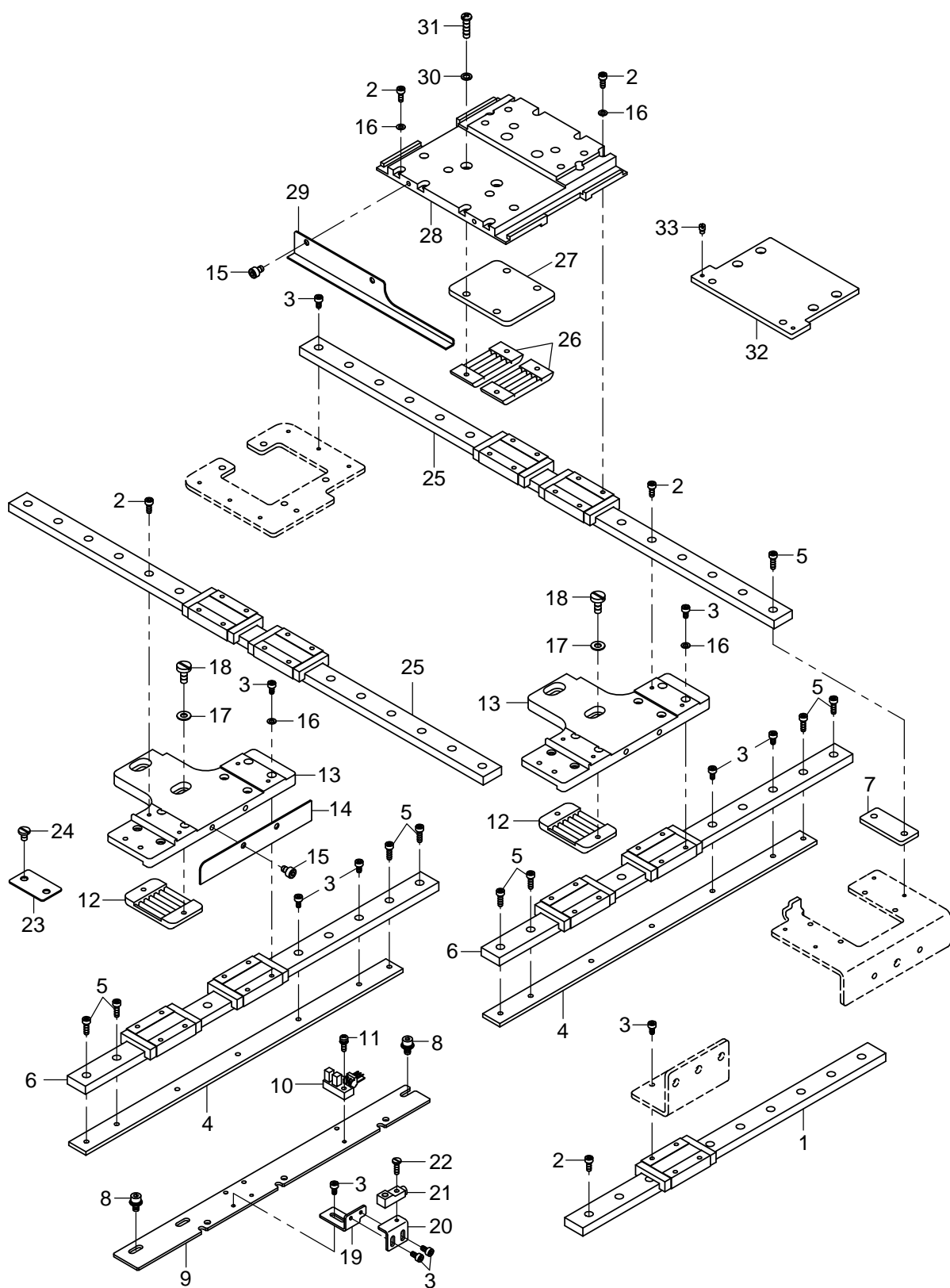
## 12. X-Y部件(1)

## X-Y COMPONENTS (1)

序号 No.	件号 Part No.	名称	DESCRIPTION	数量 Qty
1	10001943	螺钉 M5 L=20	SCREW M5 L=20	6
2	10000260	垫圈 5.2×9.8×1	WASHER 5.2×9.8×1	14
3	10039392	X向闭环电机	X-STEPPING MOTOR	1
4	10003684	轴承 51101	BEARING 51101	1
5	10005109	调整垫片 0.1	ADJUSTING WASHER 0.1	5
6	10007378	调整垫片 0.15	ADJUSTING WASHER 0.15	(1)
7	10006936	调整垫片 0.2	ADJUSTING WASHER 0.2	(1)
8	10029892	Y向主动齿轮	Y_DRIVE_GEAR	1
9	10011232	螺钉 M6 L=6	SCREW M6 L=6	14
10	10000926	Y向带轮轴	SPRING SHAFT	3
11	10003582	轴承 F608ZZ	BEARING F608ZZ	6
12	10000907	Y向同步带轮 B	Y_DRIVEN_SPROCKET_B	2
13	10032754	2213Y向同步带	Y_TIMING_BELT	2
14	10000863	螺钉 M4 L=12	SCREW M4 L=12	12
15	10011680	垫圈 4.6×9.7×0.8	WASHER 4.6×9.7×0.8	18
16	10001043	带轮座	DRIVEN_BRACKET	3
17	10002233	螺钉 M5 L=25	SCREW M5 L=25	3
18	10000353	螺母 M5	NUT M5	3
19	10003608	轴承 TA1020Z	BEARING TA1020Z	2
20	10029893	Y向从动齿轮	Y_DRIVEN_GEAR	1
21	10000904	Y向同步带轮 A	Y_DRIVE_SPROCKET_A	2
22	10000905	轴承垫圈	WASHER	2
23	10003541	滚针轴承 NTB1024	BEARING NTB1024	1
24	10032777	2213Y向传动轴	Y_DRIVE_SHAFT	1
25	10003601	轴承 6000ZZNR	BEARING 6000ZZNR	1
26	10010803	挡圈	THRUST COLLAR	1
27	10013590	螺钉 SM11/64"×40 L=4	SCREW SM11/64"x40 L=4	2
28	10009787	轴承 6202ZZNR	BEARING 6202ZZNR	3
29	10039393	Y向闭环电机	Y-STEPPING MOTOR	2
30	10014441	螺钉 M4 L=6	SCREW M4 L=6	1
31	10001035	带轮支座	X_DRIVE_BRACKET	1
32	10032757	2213导轨定位板	X_DRIVE_BRACKET_BASE	1
33	10001239	螺钉组件 M4 L=6	SCREW M4 L=6	1
34	10032780	2213花键轴	X_DRIVE_SPLINE_SHAFT	1
35	10029884	X向从动齿轮	X_DRIVEN_GEAR	1
36	10032750	2213X向同步带	X_TIMING_BELT	1
37	10003548	轴承 6806ZZNR	BEARING 6806ZZNR	1
38	10001042	X向同步带轮 A	X_DRIVE_SPROCKET_A	1
39	10012014	螺钉 M5 L=4	SCREW M5 L=4	2
40	10008113	轴承 6806ZZ	BEARING 6806ZZ	1
41	10029883	X向主动齿轮	X_DRIVE_GEAR	1
42	10029900	电机安装板	MOTOR_INSTALLING_PLATE	1
43	10012043	螺钉 M5 L=14	SCREW M5 L=14	4
44	10000925	X向同步带轮 B	X_DRIVEN_SPROCKET_B	1
45	10004949	螺钉 M5 L=8	SCREW M5 L=8	1
46	10003399	螺钉 M4 L=8	SCREW M4 L=8	4
47	10029877	带轮安装板	X_DRIVEN_BRACKET_BASE	1
48	10029891	辅助导轨安装板	Y_SUPPORT_BRACKET	1
49	10005322	螺钉 M5 L=10	SCREW M5 L=10	2

### 13. X-Y COMPONENTS (2)

#### X-Y部件(2)



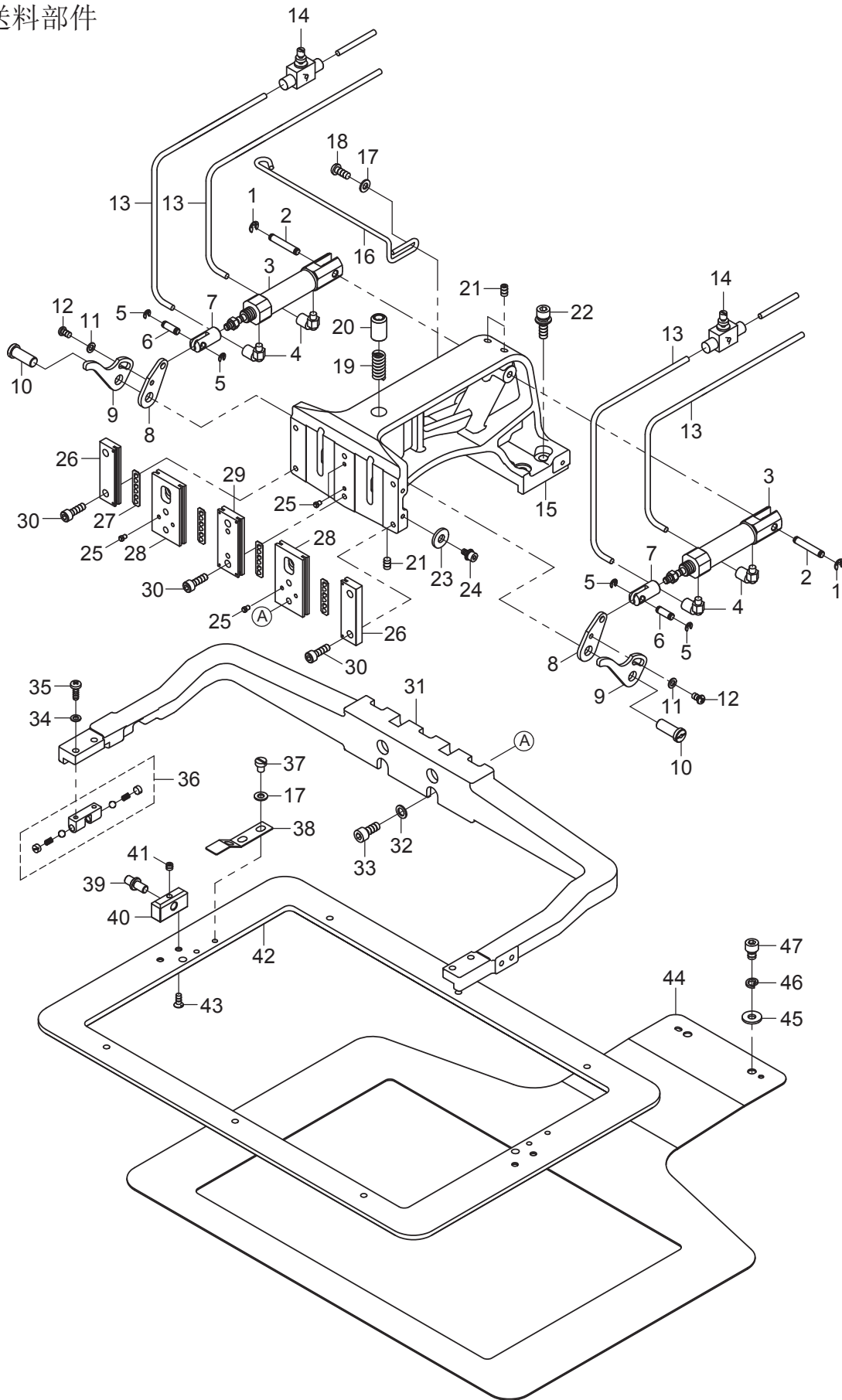
## 13. X-Y部件 (2)

## X-Y COMPONENTS (2)

序号 No.	件号 Part No.	名称	DESCRIPTION	数量 Qty
1	10029868	Y向辅助导轨	Y_SUPPORT_LINEAR_GUIDEWAY	1
2	10000909	螺钉 M3 L=8	SCREW M3 L=8	30
3	10001513	螺钉 M3 L=6	SCREW M3 L=6	35
4	10029874	导轨垫板	GUIDEWAY_SUPPORT_PLATE	2
5	10001033	螺钉 M3 L=10	SCREW M3 L=10	12
6	10029867	Y向导轨	Y_LINEAR_GUIDEWAY	2
7	10000908	垫板	X_DRIVEN_BRACKET_SPACER	2
8	10001239	螺钉组件 M4 L=6	SCREW M4 L=6	2
9	10001238	Y向传感器定位板	Y_SENSOR_INSTALLING_PLATE	1
10	10032404	Y向传感器	Y_SENSOR	1
11	10000984	传感器固定螺钉 M3	SCREW M3	1
12	10000924	Y向同步带压板	Y_BELT_RECEIVER	2
13	10029873	Y向导轨安装座	Y_FEED_BASE	2
14	10001234	Y向传感器检测板	Y_SENSOR_SLIT	1
15	10001750	螺钉 M4 L=6	SCREW M4 L=6	4
16	10000927	垫圈 3.2×6×0.5	WASHER 3.2×6×0.5	32
17	10011680	垫圈 4.6×9.7×0.8	WASHER 4.6×9.7×0.8	4
18	10011101	螺钉 SM11/64"×40 L=11	SCREW SM11/64"×40 L=11	4
19	10033040	X向传感器座1	X_SENSOR_SLIT 1	1
20	10033041	X向传感器座2	X_SENSOR_SLIT 2	1
21	10000977	X向传感器	X_SENSOR	1
22	10027421	螺钉 M3	SCREW M3	1
23	10001232	传感器排线压板	CABLE_CLAMP	3
24	10014441	螺钉 M4 L=6	SCREW M4 L=6	6
25	10029866	X向导轨	X_LINEAR_GUIDEWAY	2
26	10031266	X向同步带压板	X_BELT_RECEIVER	2
27	10031265	压板垫块	X_BELT_RECEIVER_FIX_PLATE	1
28	10029875	送料架安装座	X_FEED_BASE	1
29	10029887	X向传感片	X_SENSOR_SLIT	1
30	10001036	垫圈 4.7×7.4×0.8	WASHER 4.7×7.4×0.8	4
31	10013567	螺钉 SM11/64"×40 L=15.8	SCREW SM11/64"×40 L=15.8	4
32	10029889	送料固定板	LOWER_PLATE_INSTALLING_PLATE	1
33	10000555	螺钉 SM1/8"×44 L=3	SCREW SM1/8"×44 L=3	2

# 14. CLOTH FEED MECHANISM COMPONENTS (TYPE F)

送料部件



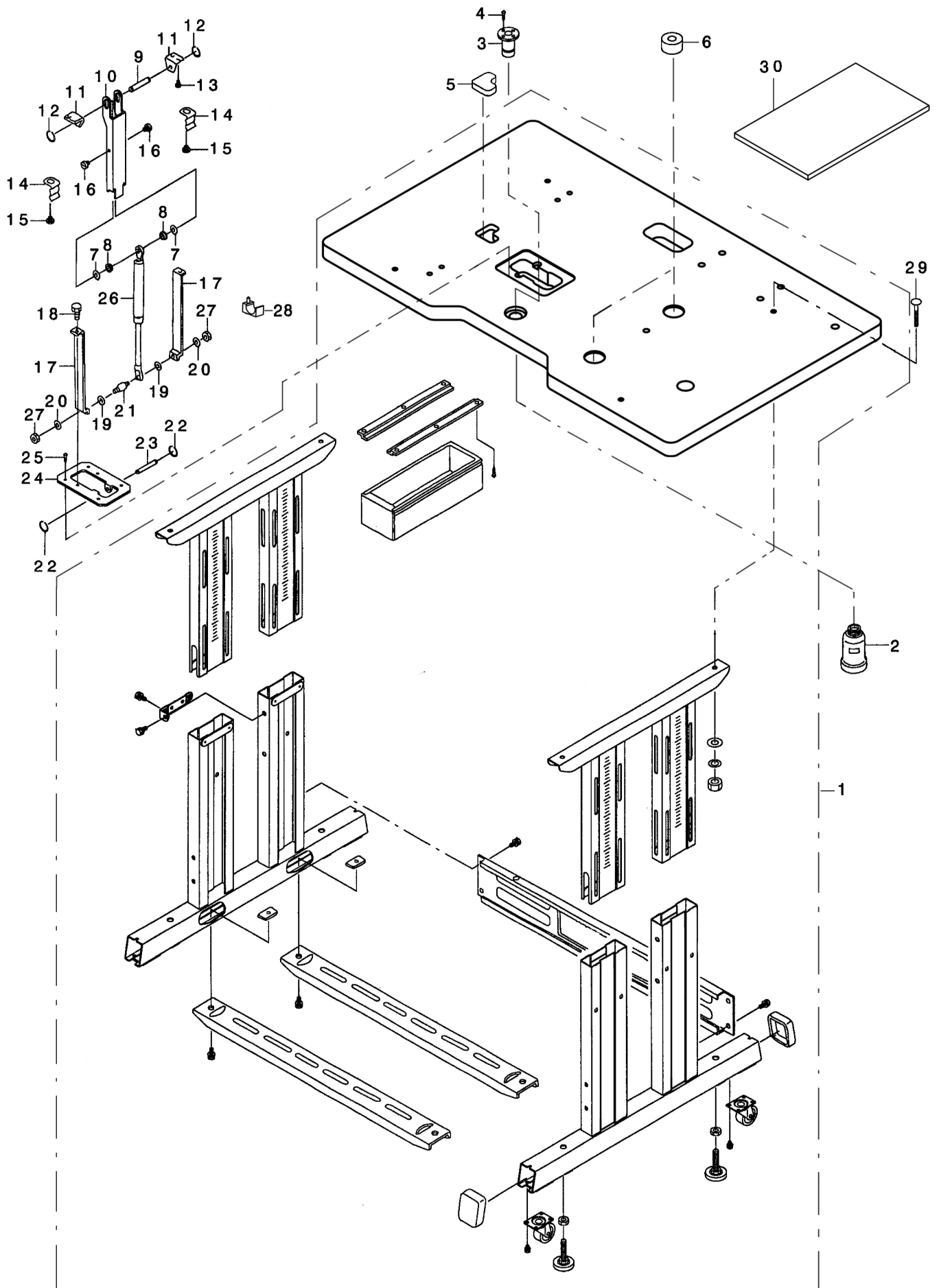
## 14. 送料部件

## CLOTH FEED MECHANISM COMPONENTS (TYPE F)

序号 No.	件号 Part No.	名称	DESCRIPTION	数量 Qty
1	10009669	E型挡圈 3.5	E-RING 3.5	2
2	10001200	气缸安装销	CYLINDER SHAFT	2
3	10001194	气缸组件	AIR CYLINDER ASM	2
4	10007681	气管接头	HOSE ELBOW	4
5	10003248	E型挡圈 3	E-RING 3	4
6	10000413	短销	CYLINDER PIN	2
7	10001175	压料气缸接头	CYLINDER KNUCKLE	2
8	10001213	压料气缸连接板	CYLINDER LINK PLATE A	2
9	10001176	压料气缸压料臂	LIFTING LEVER	2
10	10001199	压料臂固定销	FEED STUD	2
11	10004670	垫圈 4.5×8×0.8	WASHER 4.5x8x0.8	2
12	10011570	螺钉 SM11/64"×40 L=7	SCREW SM11/64"x40 L=7	2
13	10008119	气管 φ2.5×φ4	WINDPIPE, BLACK	7000
14	10003732	调速阀	SPEED CONTROLLER	2
15	10029879	送料架	FEED BRACKET	1
16	10001223	送料架拉杆簧	WINDPIPE SUPPORT	1
17	10011440	垫圈 5.1×10.2×1	WASHER 5.1x10.2x1	6
18	10008776	螺钉 M5 L=12	SCREW M5 L=12	2
19	10001221	送料架弹簧	SLIDER SPRING	1
20	10001222	送料架弹簧套	SLIDER	1
21	10004949	螺钉 M5 L=8	SCREW M5 L=8	4
22	10001209	螺钉组件 M6 L=17	SCREW M6 L=17	4
23	10012701	垫圈 6.5×16×2	WASHER 6.5x16x2	4
24	10001239	螺钉组件 M4 L=6	SCREW M4 L=6	4
25	10000728	压脚框定位销	PIN	6
26	10001226	导轨组件I	WORK_CLAMP_FOOT_PLATE_1_ASM	2
27	10008055	保持架组件	BEARING	4
28	10001228	导轨II	WORK_CLAMP_FOOT_SLIDE_2	2
29	10001195	导轨III组件	WORK_CLAMP_FOOT_PLATE_3_ASM	1
30	10012073	螺钉 M5 L=16	SCREW M5 L=16	6
31	10029880	压脚架	OUTER FRAME	1
32	10000109	垫圈 6.6×10.7×1	WASHER 6.6x10.7x1	4
33	10011238	螺钉 SM15/64"×28 L=14	SCREW SM15/64"x28 L=14	4
34	10011680	垫圈 4.6×9.7×0.8	WASHER 4.6x9.7x0.8	4
35	10003049	螺钉 M4 L=12	SCREW M4 L=12	4
36	10029899	铰链座组件	FEEDING_FRAME_BALL_CATCH	2
37	10001493	螺钉 M5 L=6	SCREW M5 L=6	4
38	10001218	压脚框定位簧	PLASTIC_LOCKED_PLATE	2
39	10029897	铰链轴	SUPPORT PIN	2
40	10029898	定位块	FEEDING_FRAME_SUPPORT_BEARING	2
41	10012014	螺钉 M5 L=4	SCREW M5 L=4	2
42	10029861	压脚框	FEEDING_FRAME	1
43	10009195	螺钉 M4 L=7.8	SCREW M4 L=7.8	4
44	10029863	送料板	LOWER PLATE	1
45	10000480	垫圈 6×15×1.6	WASHER 6x15x1.6	2
46	10003077	弹簧垫圈 6	SPRING WASHER 6	2
47	10000355	螺钉 M6 L=8	SCREW M6 L=8	2

# 15. TABLE COMPONENTS

台板部件



## 15. 台板部件

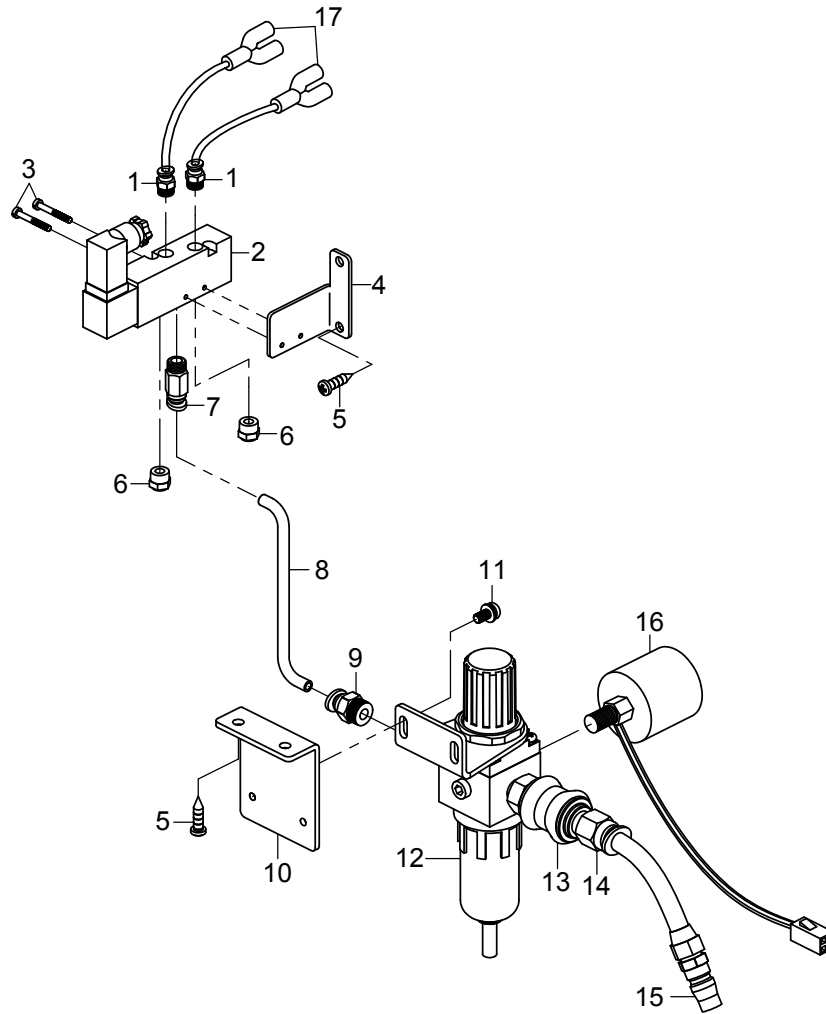
## TABLE COMPONENTS

序号 No.	件号 Part No.	名称	DESCRIPTION	数量 Qty
1	10031885	3020台板	TABLE AND STAND ASM	1
2	10006185	油杯组件	OIL CUP	1
3	(10006185)	油杯	OIL CUP	(1)
4	10008323	木螺钉	WOOD_SCREW	4
5	10001081	心型垫	RUBBER ABSORBER	1
6	10001082	圆型垫	RUBBER ABSORBER	2
7	10000212	垫圈 8.5×18×1.6	WASHER 8.5×18×1.6	2
8	10001075	塑料套	PLASTIC COLLAR	2
9	10001070	定位板销	LIFTING LEVER SHAFT	1
10	10031474	支撑定位板	FRAME BRACKET BAR	1
11	10001073	台板固定板	LIFTER BRACKET B	2
12	10005473	开口挡圈 7	E-RING 7	2
13	10000809	螺钉 M6 L=10	SCREW M6 L=10	4
14	10001074	垫板	SPRING PIECE	2
15	10009906	螺钉 SM11/64"×40 L=7	SCREW SM11/64"x40 L=7	2
16	10001069	螺钉 SM11/64"×40 L=4.2	SCREW SM11/64"x40 L=4.2	2
17	10031473	支撑板	LIFTER BRACKET A	2
18	10000809	螺钉 M6 L=10	SCREW M6 L=10	2
19	10012097	垫圈 8×20×3	WASHER 8×20×3	2
20	10000109	垫圈 6.6×10.7×1	WASHER 6.6×10.7×1	2
21	10001077	双头螺柱 M6	LIFTER PIVOT PIN	1
22	10005473	开口挡圈 7	E-RING 7	2
23	10001078	台板支撑板销	LIFTER BLOCK SHAFT	1
24	10001080	台板支撑板	BRACKET BASE	1
25	10008323	木螺钉	WOOD_SCREW	4
26	10031475	机头支撑气弹簧	AIR SPRING	1
27	10003084	螺母 M6	NUT M6	2
28	10011754	电线固定钉	LINE FIXATION NAIL	7
29	10025006	螺栓 M8×70	SCREW M8×70	4
30	10051345	防潮罩	MOISTUREPROOF COVER	1



## 16. PNEUMATIC COMPONENTS (TYPE F)

气动部件



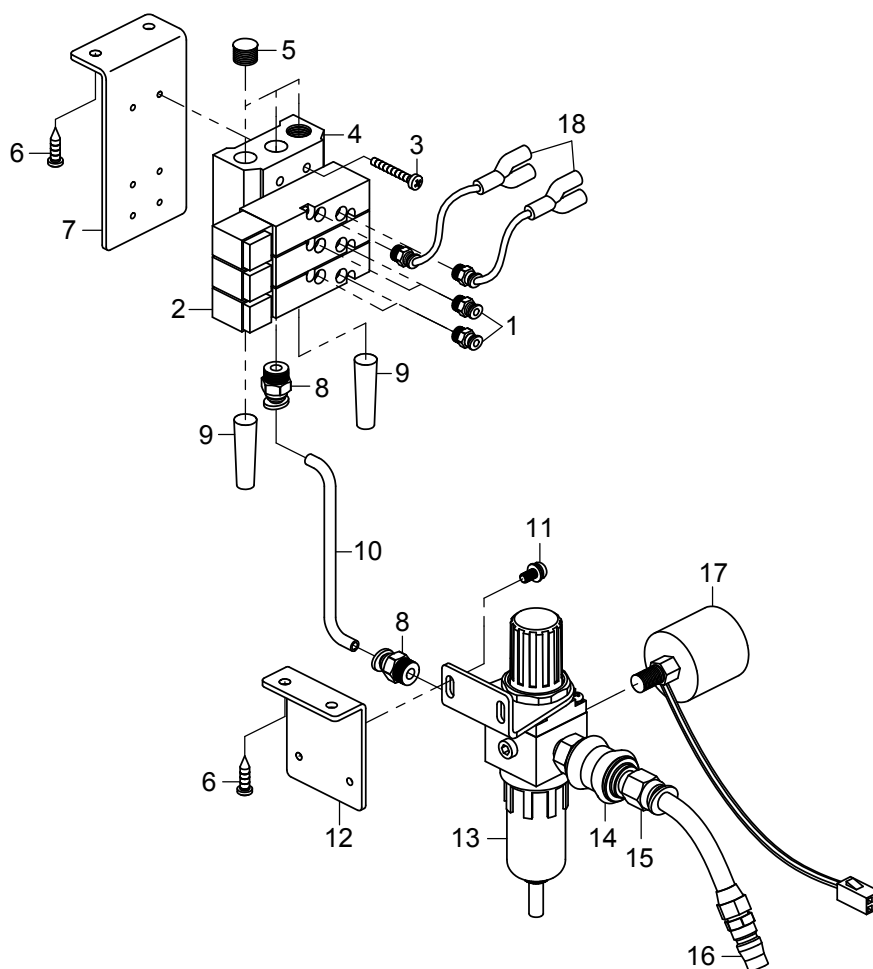
序号 No.	件号 Part No.	名称	DESCRIPTION	数量 Qty
1	10023253	快速接头 $\phi 4 \times R1/8$	HALF UNION $\phi 4 \times R1/8$	2
2	10007696	电磁阀	5 PORT SOLENOID VALVE	1
3	10002148	气阀安装螺钉 M3 L=25	SCREW M3 L=25	2
4	10007583	气阀安装板	SOLENOID_VALVE_FITTING_BASE	1
5	10008323	木螺钉	WOOD SCREW	4
6	10001548	消声器	MUFFLER	2
7	10003724	快速接头 $\phi 6 \times R1/8$	HALF UNION $\phi 6 \times R1/8$	1
8	10008150	气管 $\phi 6 \times \phi 4$	TUBE	1
9	10031295	快速接头 $\phi 6 \times R1/4$	HALF UNION $\phi 6 \times R1/4$	1
10	10001107	固定板	FILTER_INSTALLING_PLATE	1
11	10003883	螺钉 M5 L=10	SCREW M5 L=10	2
12	10007604	过滤减压阀	FILTER REGULATOR	1
13	10007534	手滑阀	HAND SLIDE VALVE	1
14	10003458	快速接头 $\phi 10 \times R1/4$	HALF UNION $\phi 10 \times R1/4$	1
15	10024399	接头 $\phi 10 \times R1/4$	PLUG $\phi 10 \times R1/4$	1
16	10007620	带压力开关的压力表	AIR PRESSURE SWITCH	1
17	10007701	Y型快换接头	Y-QUICK COUPLING	2

\* 1~17 3020HF 专用

FOR TYPE F

## 17. PNEUMATIC COMPONENTS (TYPE G)

### 气动部件



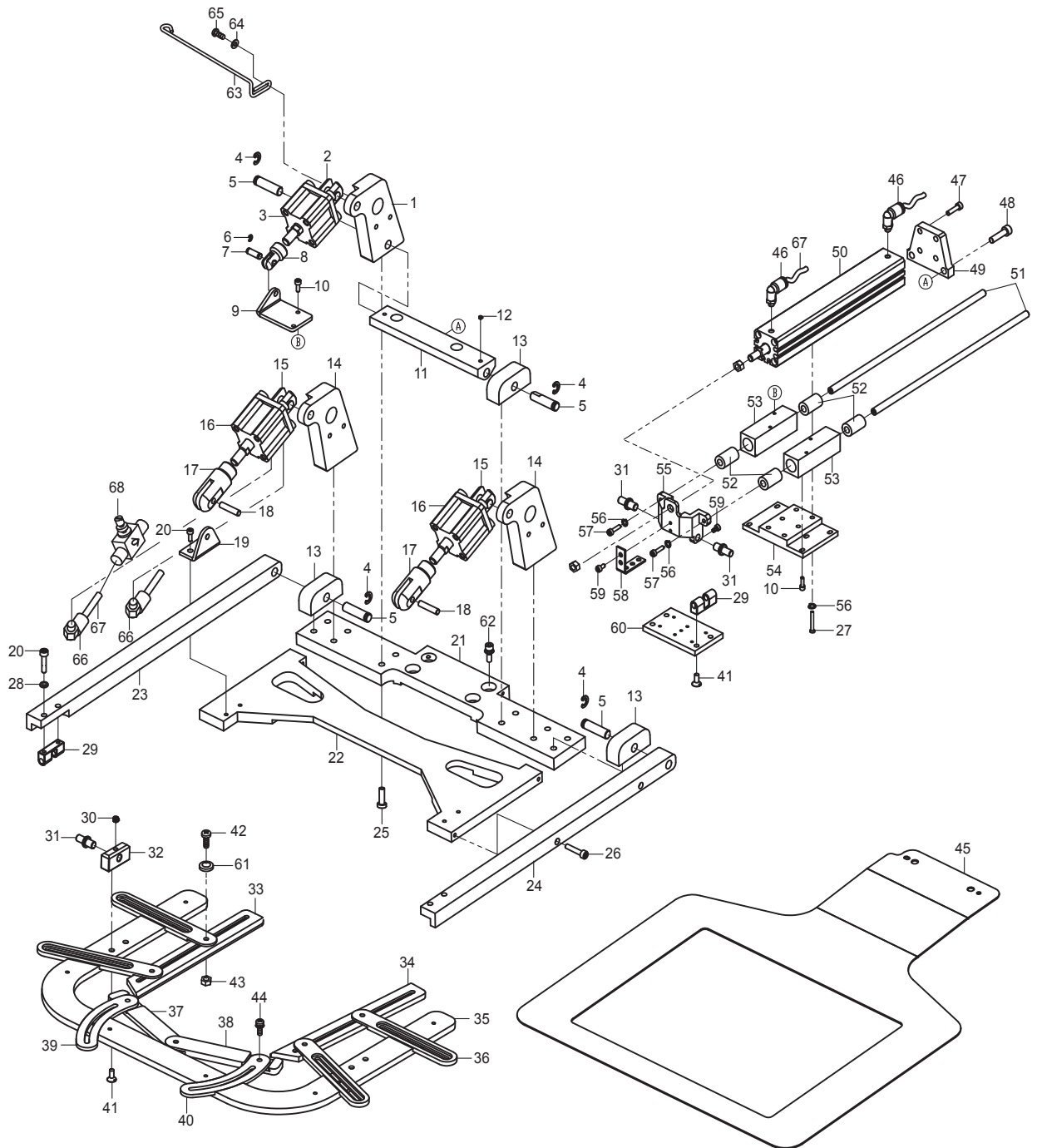
序号 No.	件号 Part No.	名称	DESCRIPTION	数量 Qty
1	10023253	快速接头 $\phi 4 \times R1/8$	HALF UNION $\phi 4 \times R1/8$	6
2	10007696	电磁阀	5 PORT SOLENOID VALVE	3
3	10002180	螺钉 M4 L=30	SCREW M4 L=30	4
4	10003721	电磁阀底座	SOLENOID_VALVE_BASE	1
5	10001109	电磁阀座堵头	PLUG	3
6	10008323	木螺钉	WOOD SCREW	4
7	10030860	电磁阀底座固定板	BASE_INSTALLING_PLATE	1
8	10031295	快速接头 $\phi 6 \times R1/4$	HALF UNION $\phi 6 \times R1/4$	2
9	10003742	消声器	MUFFLER	2
10	10008150	气管 $\phi 6 \times \phi 4$	TUBE	1
11	10003883	螺钉 M5 L=10	SCREW M5 L=10	2
12	10001107	固定板	FILTER_INSTALLING_PLATE	1
13	10007604	过滤减压阀	FILTER REGULATOR	1
14	10007534	手滑阀	HAND SLIDE VALVE	1
15	10003458	快速接头 $\phi 10 \times R1/4$	HALF UNION $\phi 10 \times R1/4$	1
16	10024399	接头 $\phi 10 \times R1/4$	PLUG $\phi 10 \times R1/4$	1
17	10007620	带压力开关的压力表	AIR PRESSURE SWITCH	1
18	10007701	Y型快换接头	Y-QUICK COUPLING	2

\* 1~18 3020HG专用

FOR TYPE G

# 18. CLOTH FEED MECHANISM COMPONENTS (TYPE G)

## 送料部件



3020HG

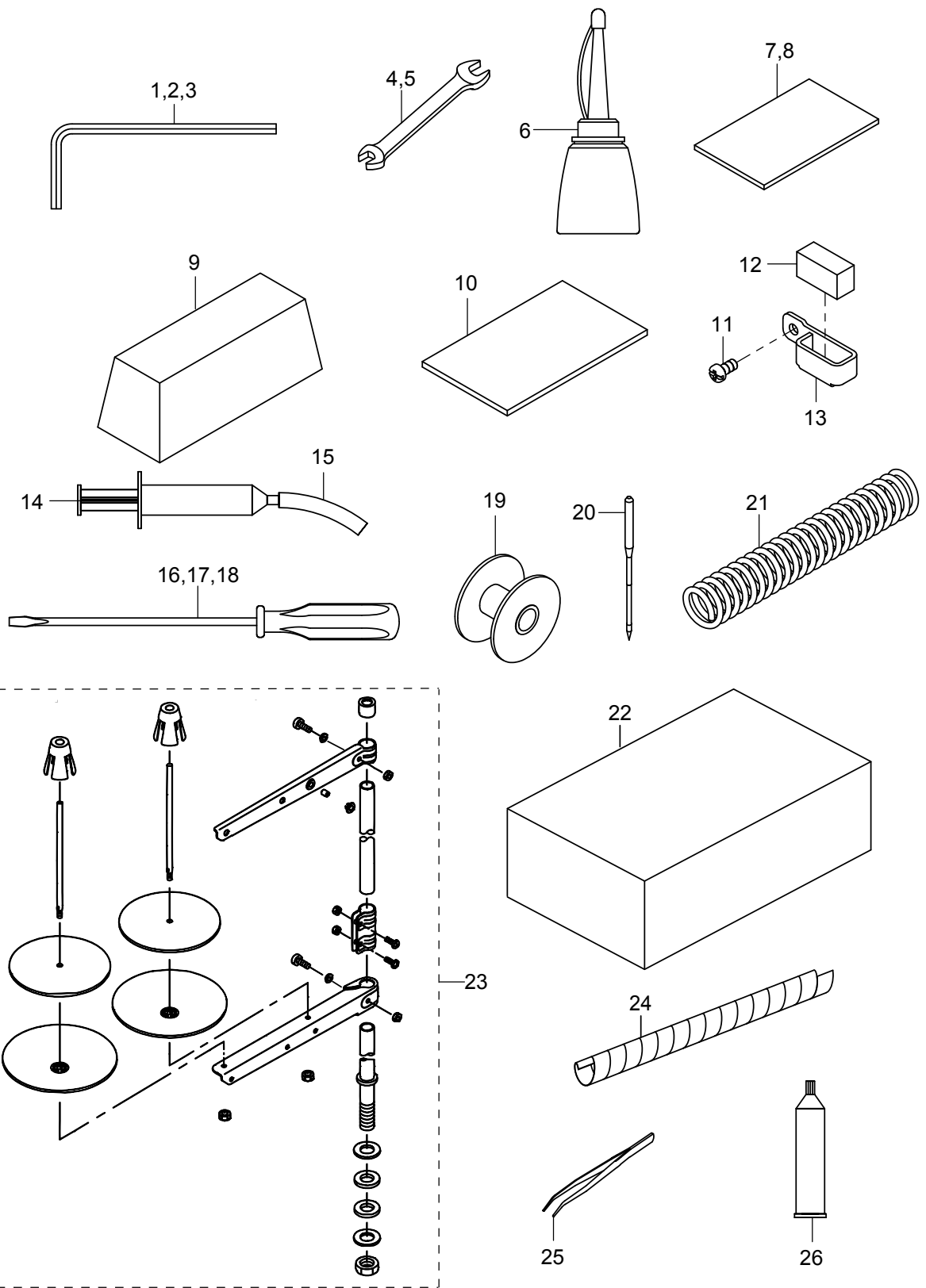
## 18. 送料部件

## CLOTH FEED MECHANISM COMPONENTS (TYPE G)

序号 No.	件号 Part No.	名称	DESCRIPTION	数量 Qty
1	10031204	立板B	VERTICALI PLATE B	1
2	10038395	CQ-D020气缸辅件	CQ - D020 AUXILIARY CYLINDER PARTS	1
3	10038394	CQ2A20-10DCM气缸	CQ2A20-10DCM AIR CYLINDER	1
4	10009653	4挡圈	4 RING	4
5	10039205	HG短销	HG CYLINDER PIN	4
6	10003248	3挡圈	3 RING	2
7	10000413	5×15.5短销	5×15.5 CYLINDER PIN	1
8	10031217	气缸接头B	JOINT B	1
9	10031212	连接板2	CONNECTION PLATE 2	1
10	10000909	M3×8螺钉	M3×8 SCREW	8
11	10031200	摆座	SEAT	1
12	10002856	M4×4螺钉	M4×4 SCREW	4
13	10031202	连接块	CONNECTION PIECE	3
14	10031203	立板A	VERTICALI PLATE A	2
15	10039385	CQ-D025气缸辅件	CQ-D025 AUXILIARY CYLINDER PARTS	2
16	10039386	CQ2A-25-15DM气缸	CQ2A-25-15DM AIR CYLINDER	2
17	10031216	气缸接头A	JOINT B	2
18	10039348	CD-Z015双耳环销	CD-Z015 PIN	2
19	10031213	连接座1	CONNECT SEAT1	2
20	10005041	M4×10螺钉	M4×10 SCREW	4
21	10031201	基座	BASE	1
22	10031208	连接板	CONNECTION PLATE	1
23	10031207	压杆B	PRESSER LEVER B	1
24	10031206	压杆A	PRESSER LEVER A	1
25	10000259	M5×12螺钉	M5×12 SCREW	12
26	10000381	M4×20螺钉	M4×20 SCREW	4
27	10003046	M3×16螺钉	M4×20 SCREW	6
28	10004670	4.5×8×0.8垫圈	4.5×8×0.8 WASHER	4
29	10029899	铰链座	HINGE SEAT	4
30	10012162	M5×5螺钉	M5×5 SCREW	2
31	10029897	铰链轴	HINGE shaft	4
32	10029898	定位块	LOCATING PIECE	2
33	10034957	左定位板	LEFT POSITIONING PLATES	1
34	10034958	右定位板	RIGHT POSITIONING PLATES	1
35	10034964	压脚框	FEEDING_FRAME	1
36	10034961	调节板3	ADJUSTMENT PLATE 3	4
37	10034959	左挡板	LEFT BAFFLE	1
38	10034960	右挡板	RIGHT BAFFLE	1
39	10034962	调节板1	ADJUSTMENT PLATE 1	1
40	10034963	调节板2	ADJUSTMENT PLATE 2	1
41	10009195	M4×7.80螺钉	M4×7.80 SCREW	8
42	10022845	SM3/16"×28螺钉	SM3/16"×28 SCREW	4
43	10013012	SM3/16"×28螺母	SM3/16"×28 NUT	4
44	10000707	M4×5.6螺钉组件	M4×5.6 SCREW	9
45	10031220	送料板	LOWER PLATE	1
46	10007681	legris 31990419气管接头	LEGRIS 31990419 HOSE ELBOW	2
47	10009103	M4×16螺钉	M4×16 SCREW	4
48	10001943	M5×20螺钉	M5×20 SCREW	2
49	10031205	法兰	FLANGE	1
50	10031222	气缸150	AIR CYLINDER 150	1
51	10031218	导向轴	GUIDE SHAFT	2
52	10031221	直线轴承	SLIDE BEARING	4
53	10031211	轴承套	BEARING SLEEVE	2
54	10031210	轴承套连接板	CONNECTION PLATE	1
55	10031209	气缸连接板	CYLINDER CONNECTION PLATE	1
56	10003082	3垫圈	3 WASHER	8
57	10001975	M3×12螺钉	M3×12 SCREW	2
58	10031214	连接板安装座	INSTALL THE SEAT	1
59	10001513	M3×6螺钉	M3×6 SCREW	5
60	10031215	连接立板	CONNECT VERTICALI PLATE	1
61	10011653	5.2×10.5×1垫圈	5.2×10.5×1 WASHER	4
62	10001209	螺钉组件 M6 L=17	SCREW M6 L=7	4
63	10001223	送料架拉杆簧	WINDPIPE SUPPORT	1
64	10011440	垫圈 5.1×10.2×1	WASHER 5.1×10.2×1	2
65	10008776	螺钉 M5 L=12	SCREW M5 L=12	2
66	10007681	legris 31990419气管接头	LEGRIS 31990419 HOSE ELBOW	6
67	10008119	气管 φ2.5×φ4	WINDPIPE, BLACK	5000
68	10003732	调速阀	SPEED CONTROLLER	3

# 19. ACCESSORIES COMPONENTS

附件部件



## 19. 附件部件

## ACCESSORIES COMPONENTS

序号 No.	件号 Part No.	名称	DESCRIPTION	数量 Qty
1	10009685	内六角扳手 3	HEXAGONAL WRENCH 3	1
2	10009687	内六角扳手 4	HEXAGONAL WRENCH 3	1
3	10009689	内六角扳手 5	HEXAGONAL WRENCH 3	1
4	10003369	呆扳手 8×10	WRENCH 8×10	1
5	10003368	呆扳手 9×11	WRENCH 9×11	1
6	10005356	油壶	OLI CAN	1
7	10032424	5770A_3020使用说明书☆	INSTRUCTION MANUAL	1
8	10032425	5770A_3020零件手册☆	PARTS BOOK	1
9	10000404	中捷机头罩☆	MACHINE COVER	1
10	10030973	压脚框贴垫	SPONGE PASTER	1
11	10011143	螺钉 SM9/64"×40 L=7	SCREW SM9/64"x40 L=7	1
12	10000396	硅油毡	FELT	1
13	10000398	硅油板	THREAD GUIDE	1
14	10003361	注射器	INJECTOR	1
15	10007800	油管 φ3×φ5	TUBE φ3×φ5	60
16	10010994	大螺丝刀	SCREW DRIVER LARGE	1
17	10010995	中螺丝刀	SCREW DRIVER MIDDLE	1
18	10013185	小螺丝刀	SCREW DRIVER SMALL	1
19	10000649	梭心	BOBBIN	2
20	10004896	机针 DP×17 18#	NEEDLE DP×17 18#	4
21	60000115	吹气管	INPUT TUBE	1
22	10001207	附件箱	ACCESSORY BOX	
23	10007130	二线架组件	THREAD STAND	1
24	10002458	卷式结束带	SPIRAL WRAPPING BAND	1
25	10004247	镊子组件	TWEEZERS	1
26	20009052	油脂软盒 加油脂后	OIL BOX	1